

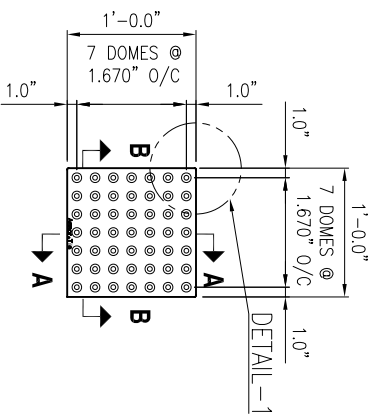
© 2006 ENGINEERED PLASTICS  
 CONFIDENTIAL AND PROPRIETARY DOCUMENT  
 ANY ONE OR MORE OF THE FOLLOWING  
 PATENTS MAY APPLY  
 U. S. PATENT NO. 5,303,669, 5,775,835,  
 6,449,790, AND 6,895,622 B5  
 C.D.N. PATENT NO. 2,032,532, 2,070,984  
 US PATENTS PENDING.  
 © KENNETH E. SZEKELY

MATERIAL LIST	
#	DESCRIPTION PART No. QTY
1	ARMOR-TILE ADA-P-1212-** 1

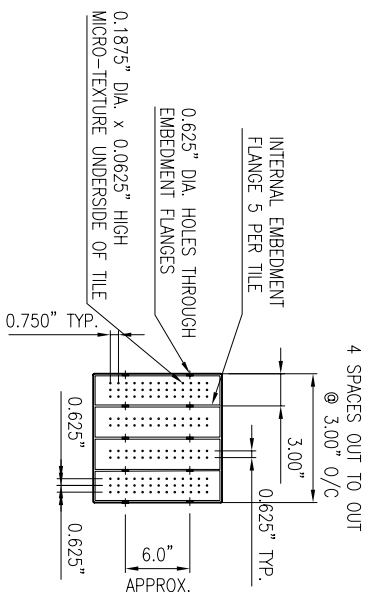
\*\* COLOR CODE  
 YELLOW (YW), RED (RD), BLACK (BK),  
 DARK GREY (DG), LIGHT GREY (LG),  
 WHITE (WH), OCRE YELLOW (OY),  
 BLUE (BL), COGNAC, RED (CR)  
 CUSTOM COLORS AVAILABLE

No.	DATE	REVISION	APPR.

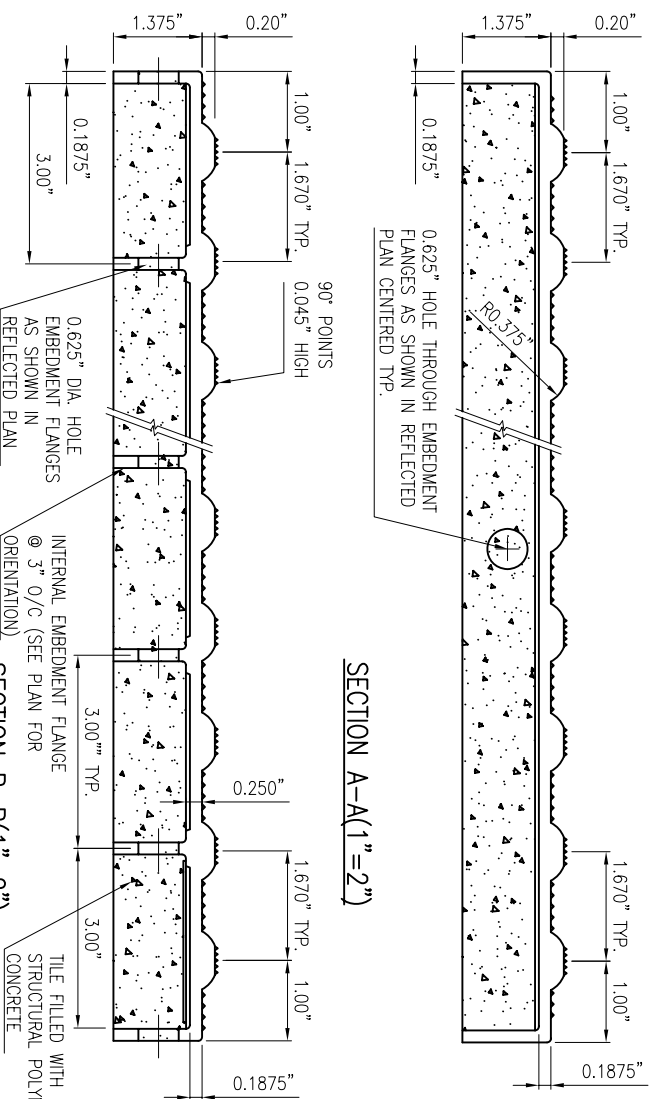
SCALE	
DESIGNED	DATE
BR K.S.	08/90
ISSUED	
BY D.C.	2/22/2006
CHECKED	
PROJECT NUMBER	
TITLE	PART No.
DETECTABLE WARNING SURFACE ADA-P-1212-**	
MATERIAL	VITRIFIED POLYMER COMPOSITE
SUBJECT	
<p><b>Armor - Tile™ ADA</b>                  SOUND WARNING DETECTABLE/TACTILE                  SURFACE TILE</p>	
<p><b>Armor - Tile™</b>                  DETECTABLE/TACTILE                  WARNING SURFACE TILE                  12" x 12" MODULAR PAYER                  INLINE DOME TACTILE TILE                  PLANS AND DETAILS</p>	
ISSUING No. ADA-P-1212	REV. No. 0



PLAN (1"=1'-0")

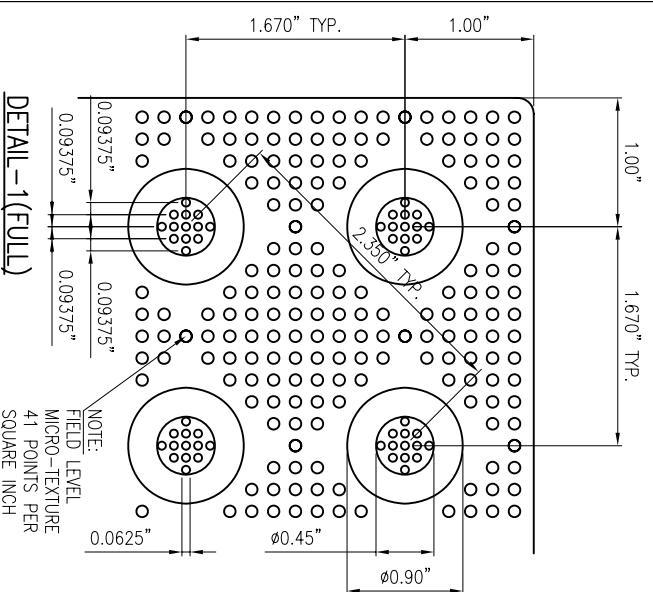


REFLECTED PLAN (1"=1'-0")



SECTION A-A (1"=2")

SECTION B-B (1"=2")



DETAIL-1 (FULL)

NOTE:  
 FIELD LEVEL  
 MICRO-TEXTURE  
 41 POINTS PER  
 SQUARE INCH