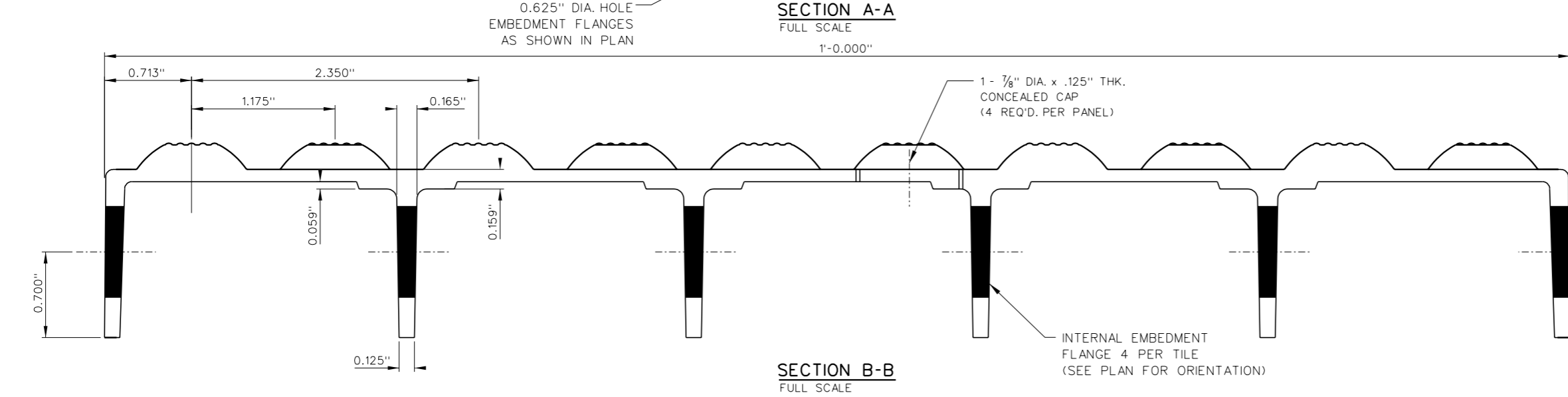
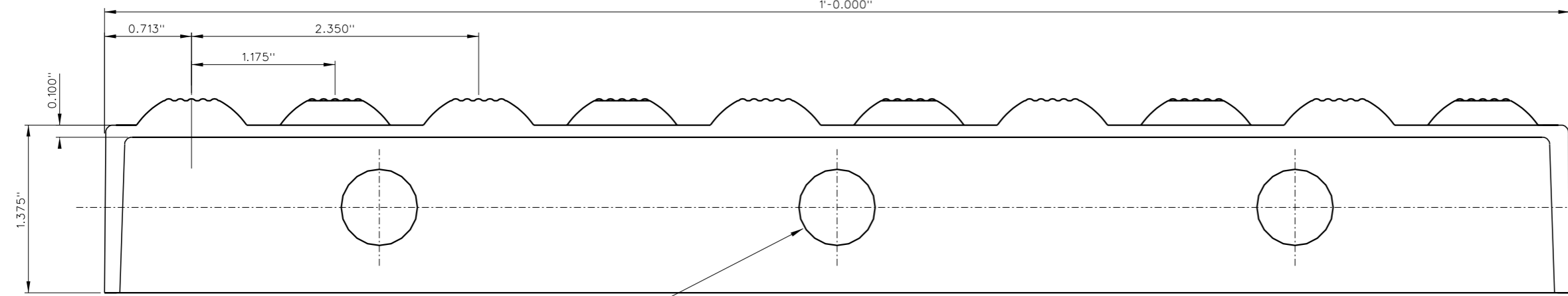
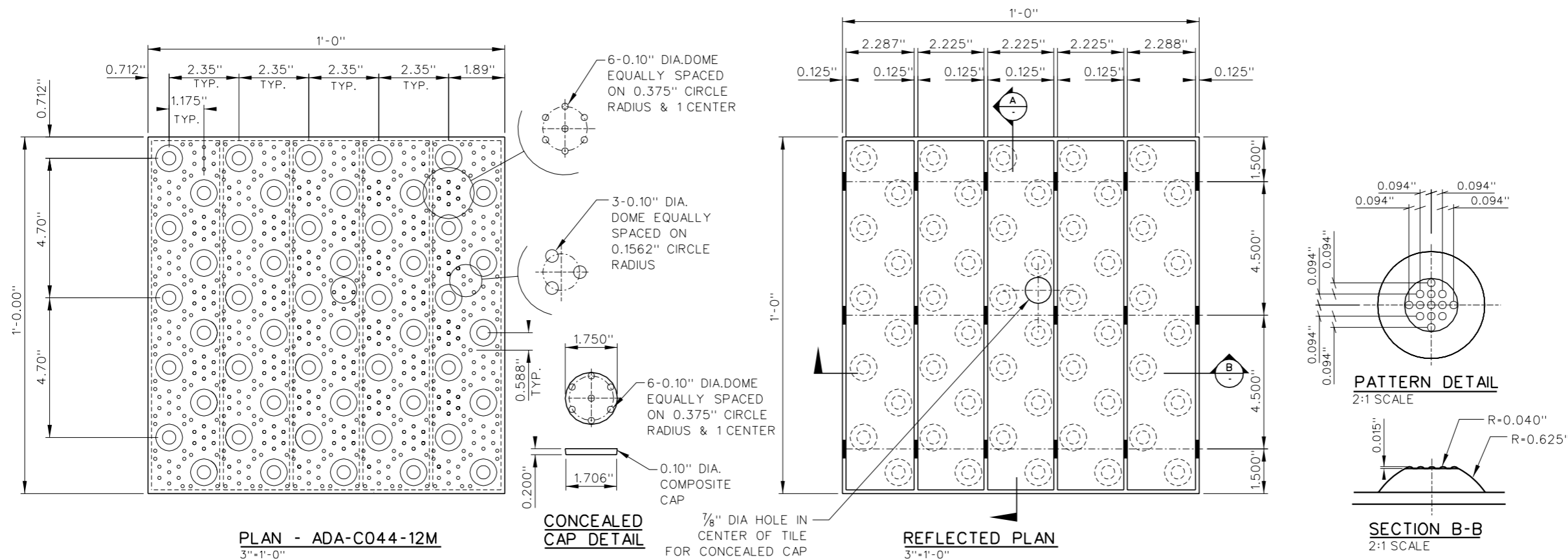


© 1999 ENGINEERED PLASTICS
 CONFIDENTIAL AND PROPRIETARY DOCUMENT
 U. S. PATENT NO. 5,303,669, U.S. PATENTS PENDING
 Ⓓ KENNETH E. SZEKELY

MATERIAL LIST

ITEM	DESCRIPTION	PART NO.	QTY
1	ARMOR TILE ADA	ADA-C044-12	1



No.	DATE	REVISION	APPR.
0	09/01/99	ISSUED	K.S.

SCALE 1/2" = 1'-0" TYP U.N.O. FULL SIZE

DESIGNED	BY K.E.S.	DATE 08/90
DRAWN	M.D.	01/08/98
CHECKED		

PROJECT MANAGER	
TRADE DETECTABLE WARNING SURFACE	PART NO. SEE MATERIAL LIST

MATERIAL VITRIFIED POLYMER COMPOSITE

SUBJECT **Armor-Tile ADA**
 SOUND ATTENUATING TACTILE TILE DETECTABLE WARNING SURFACE SYSTEM

PROJECT

12" x 12" CAST-IN-PLACE TILE PLANS AND DETAILS MATERIAL DRAWING

DRAWING NO. ADA-C044-GEN2-12X12	REV. NO. 0
---------------------------------	------------

d:\eng-plastics\armor-tile_ada\cast_in_place\adoc044gen2-1212m.dgn
 DOBBM 06 SEP 2000 21:15:31