

© 1999 ENGINEERED PLASTICS  
 CONFIDENTIAL AND PROPRIETARY DOCUMENT  
 U. S. PATENT NO. 5,303,669, U.S. PATENTS PENDING  
 © KENNETH E. SZEKELY

**MATERIAL LIST**

ITEM	DESCRIPTION	PART NO.	QTY
1	ARMOR TILE (24"x36")	ADA-C040-36	

DRAWING	DESCRIPTION
ADA-C040-PB1-36E	INSTALLATION DRAWING
ADA-C040-PB2-36E	INSTALLATION DRAWING

No.	DATE	REVISION	APPR.
0	02/08/98	ISSUED	K.S.

SCALE AS NOTED  
 FULL SIZE ONLY

DESIGNED	BY K.E.S.	DATE 08/90
DRAWN	M.D.	02/08/98
CHECKED		

PROJECT MANAGER	
TRADE DETECTABLE WARNING SURFACE	PART NO. SEE MATERIAL LIST

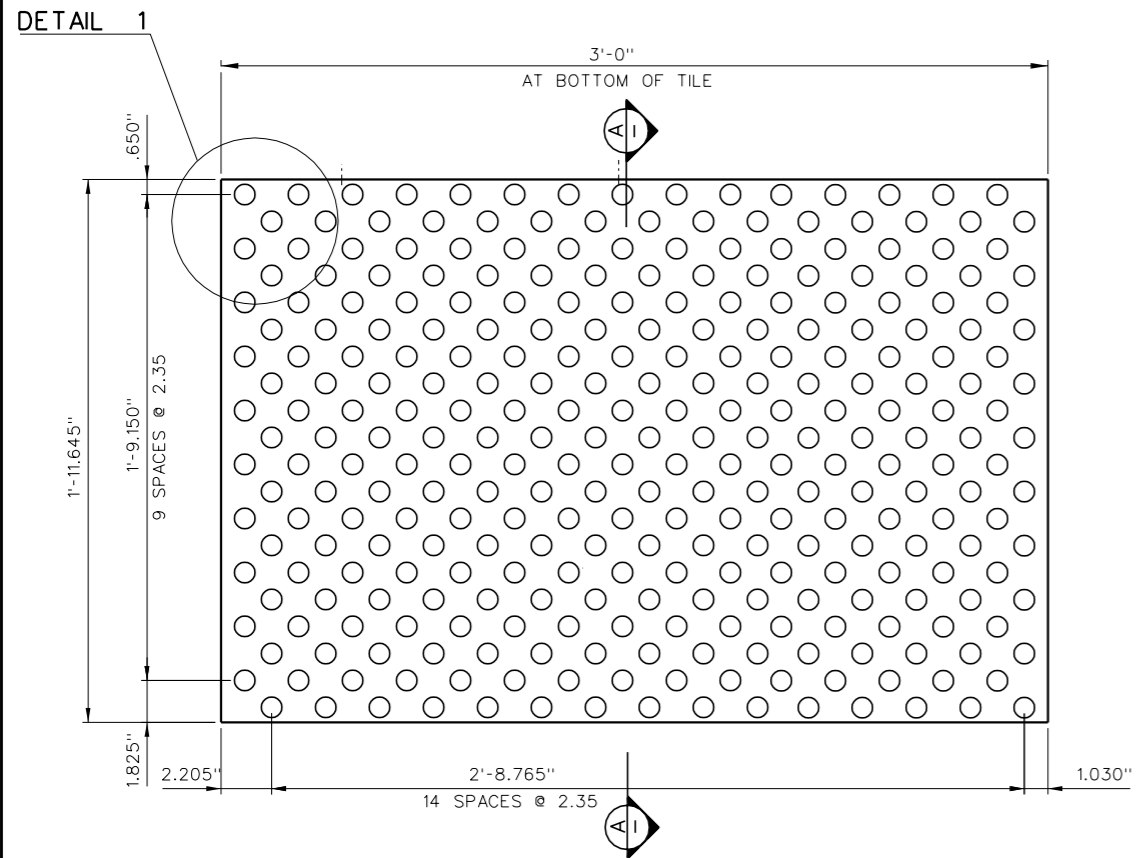
MATERIAL VITRIFIED POLYMER COMPOSITE

SUBJECT  
**Armor•Tile ADA**  
 TACTILE TILE  
 DETECTABLE WARNING  
 SURFACE SYSTEM

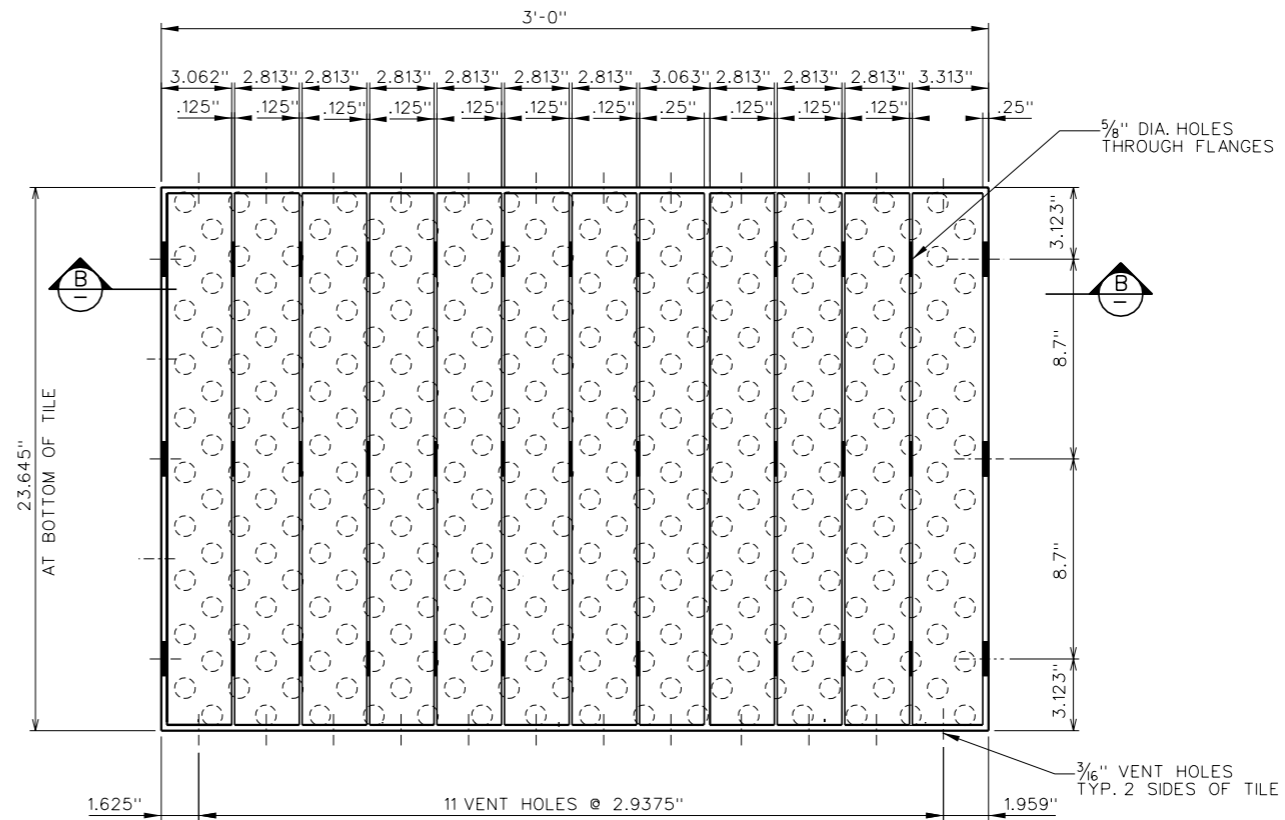
PROJECT

24"x36" CAST IN PLACE TILE  
 CURB RAMP TACTILE TILE  
 PLAN AND DETAILS

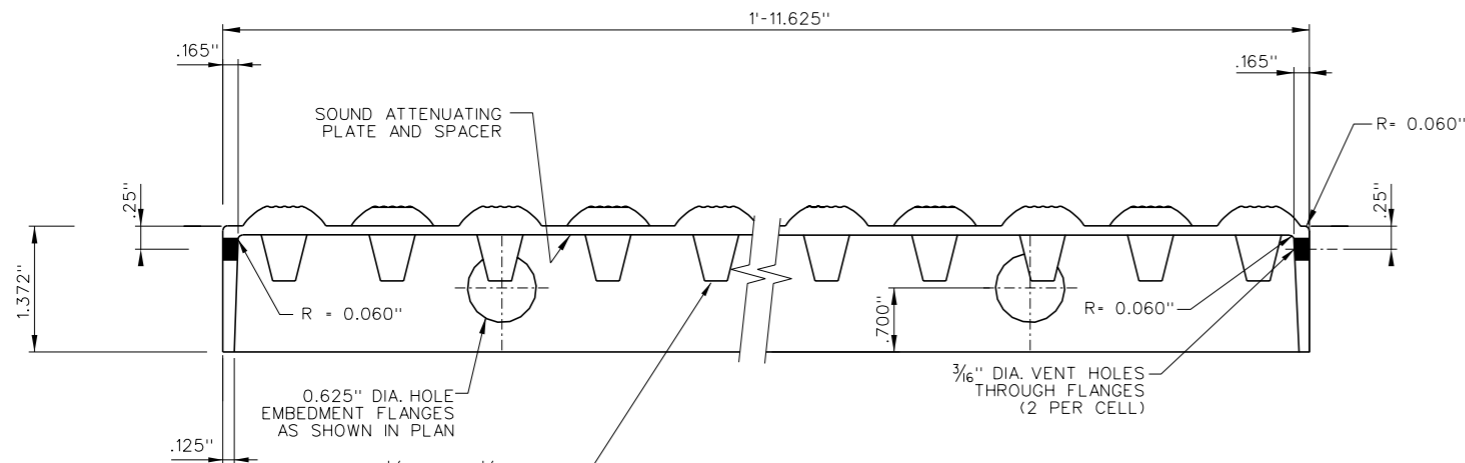
DRAWING NO. ADA-C040-PB3-36M	REV. NO. 0
---------------------------------	---------------



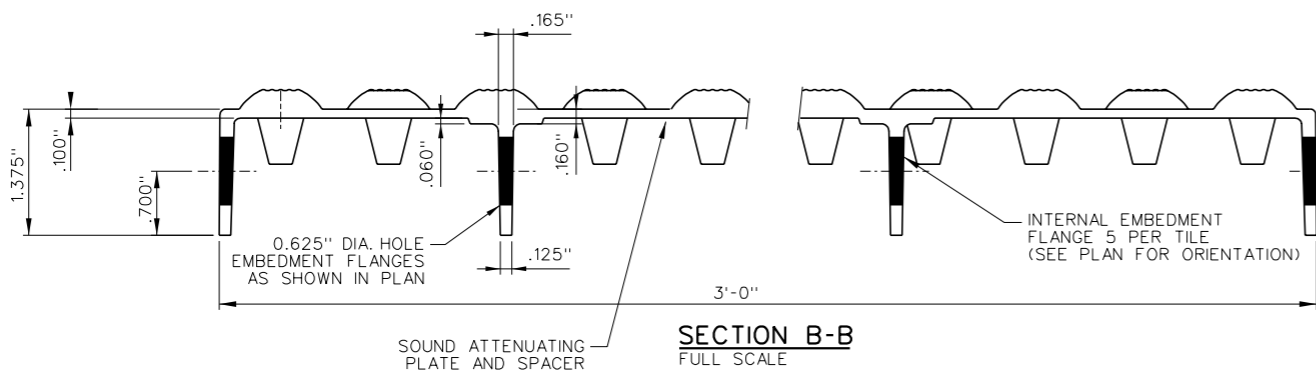
**PLAN - TILE**  
 SCALE 3" = 1'-0"



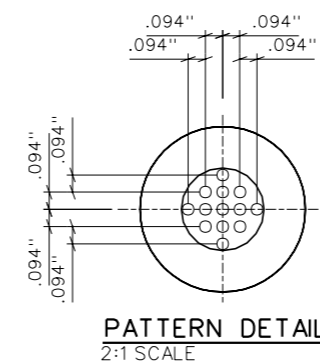
**REFLECTED PLAN**  
 SCALE 3" = 1'-0"



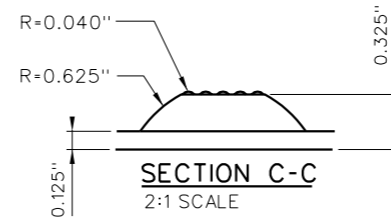
**SECTION A-A**  
 FULL SCALE



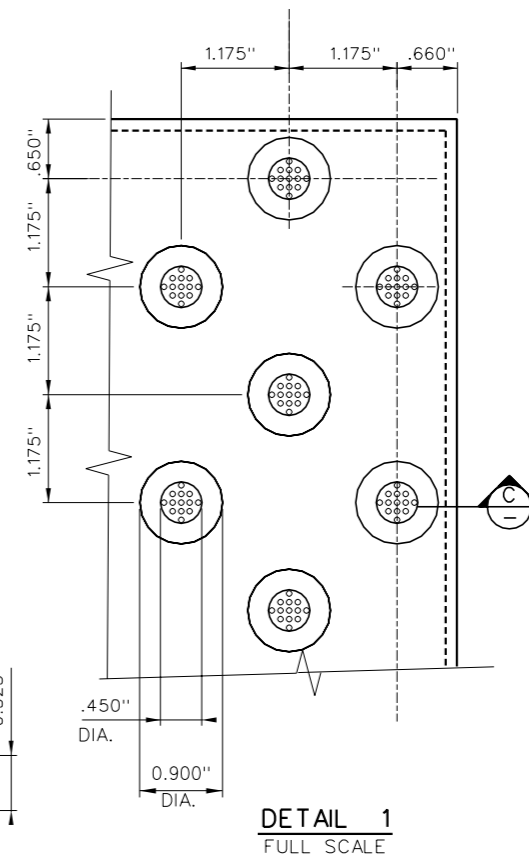
**SECTION B-B**  
 FULL SCALE



**PATTERN DETAIL**  
 2:1 SCALE



**SECTION C-C**  
 2:1 SCALE



**DETAIL 1**  
 FULL SCALE