

MATERIAL LIST

ITEM	DESCRIPTION	PART NO.	QTY
1	ARMOR TILE ADA D.D.T.	ADA-M001	1
2	S.S. ANCHORS	AT-1100-CC	10

No.	DATE	REVISION	APPR.
0	09/23/97	ISSUED	K.S.

SCALE 1/2" = 1'-0" TYP U.N.O.
 FULL SIZE

DESIGNED	BY K.E.S.	DATE 08/90
DRAWN	M.D.	09/23/97
CHECKED		

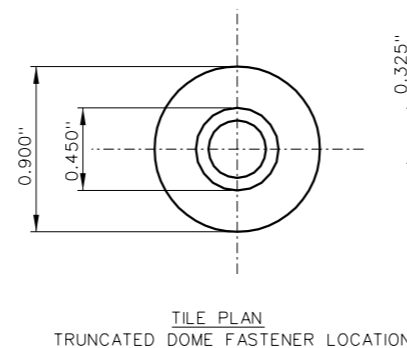
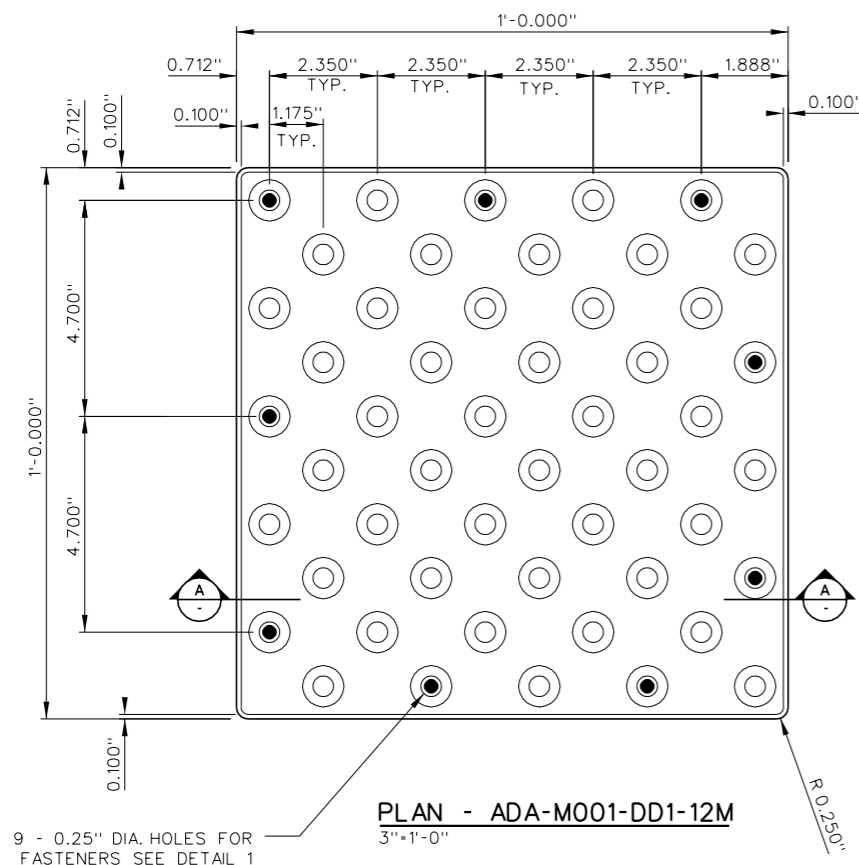
PROJECT MANAGER	
TRADE DETECTABLE WARNING SURFACE	PART NO. SEE MATERIAL LIST

MATERIAL VITRIFIED POLYMER COMPOSITE

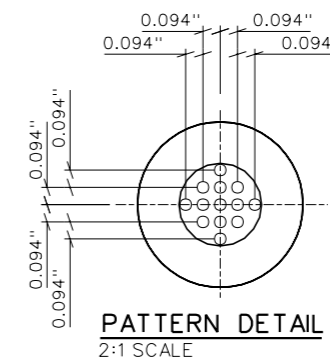
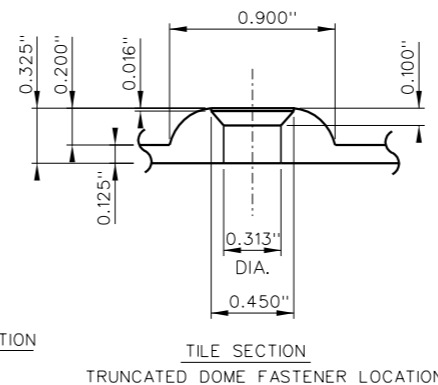
SUBJECT **Armor•Tile ADA**
 SOUND ATTENUATING TACTILE TILE
 DETECTABLE WARNING
 SURFACE SYSTEM

PROJECT
 DETECTABLE DIRECTIONAL
 SURFACE TILE
 PLANS AND DETAILS
 MATERIAL DRAWING

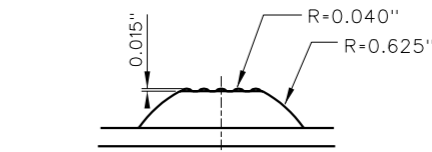
DRAWING NO. ADA-S003-GEN2-12x12	REV. NO. 0
------------------------------------	---------------



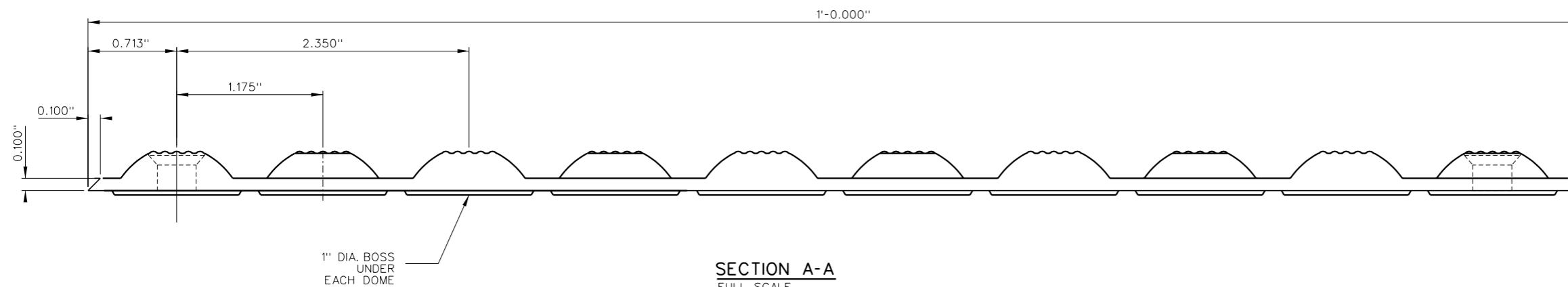
FASTENER DETAIL
 2:1 SCALE



PATTERN DETAIL
 2:1 SCALE



SECTION B-B
 2:1 SCALE



SECTION A-A
 FULL SCALE

d:\eng-plastics\armor-tile_ada\surface_applied\adas003gen2-1212m.dgn
 DOBBM 06 SEP 2000 21:17:52