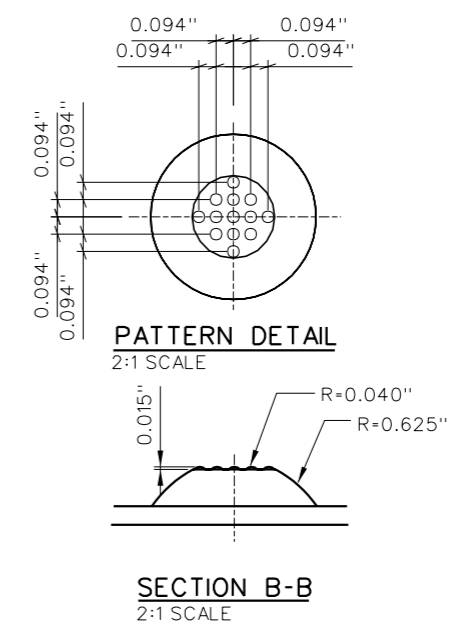
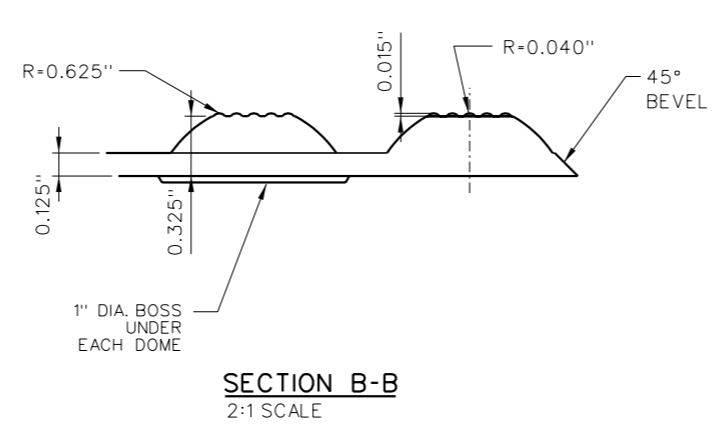
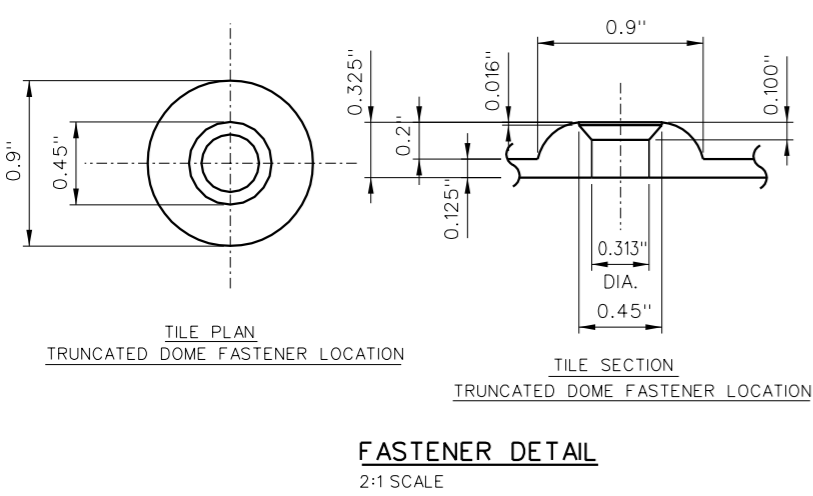
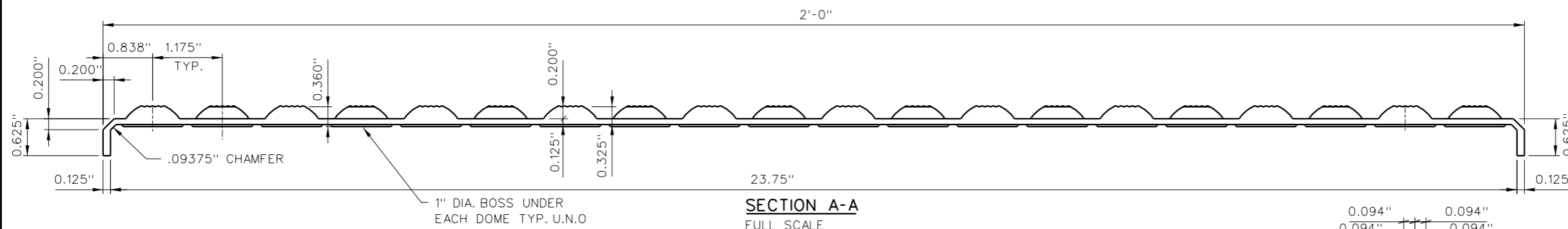
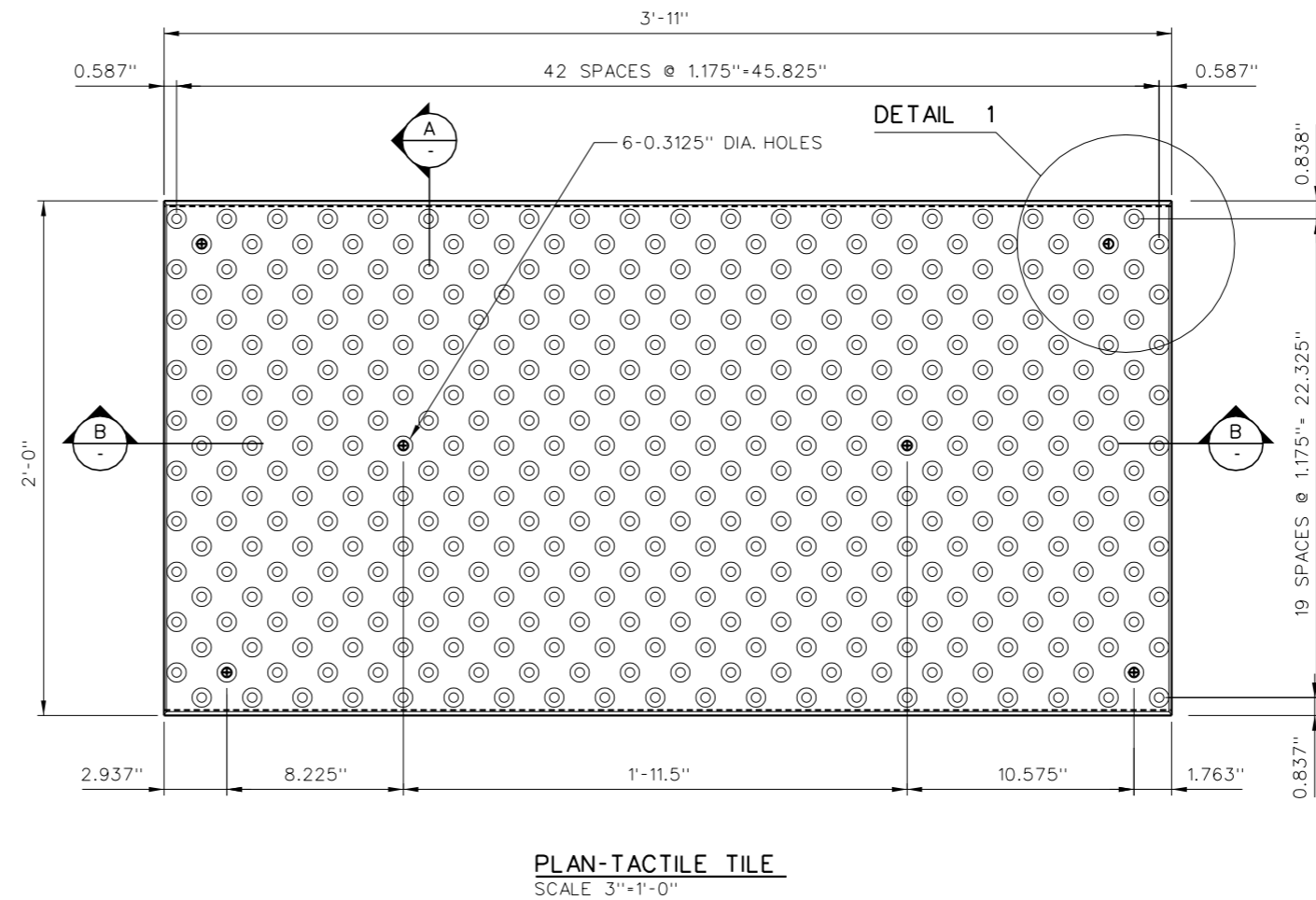
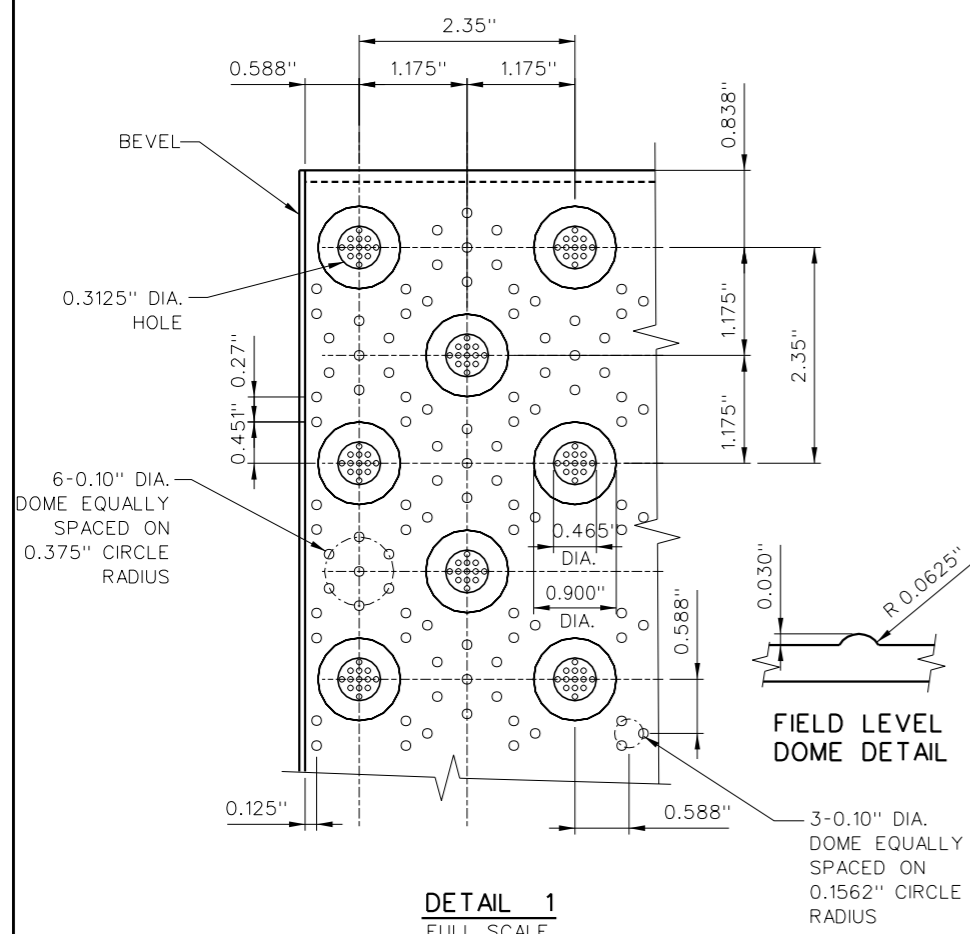


© 1999 ENGINEERED PLASTICS
 CONFIDENTIAL AND PROPRIETARY DOCUMENT
 U. S. PATENT NO. 5,303,669, U.S. PATENTS PENDING
 © KENNETH E. SZEKELY

MATERIAL LIST

ITEM	DESCRIPTION	PART NO.	QTY
1	ARMOR-TILE ADA	AT-S023-48	1
2	S.S. 1/4" x 1 3/8" ANCHOR	AT-AF-01	24



DESIGNED	BY K.E.S.	DATE 08/91
DRAWN	M.D.	10/27/97
CHECKED		

PROJECT MANAGER	
TRADE DETECTABLE WARNING SURFACE	PART NO.

MATERIAL VITRIFIED POLYMER COMPOSITE

SUBJECT **Armor-Tile ADA**
 SOUND ATTENUATING TACTILE TILE
 DETECTABLE WARNING SURFACE SYSTEM MATERIAL DRAWING

PROJECT

PLATFORM EDGE TACTILE TILE
 48" x 24" SURFACE APPLIED PLANS AND DETAILS

DRAWING NO.	ADA-S023-GEN3-24x48	REV. NO.	0
-------------	---------------------	----------	---

FILES \$USERS \$DATES \$TIMES