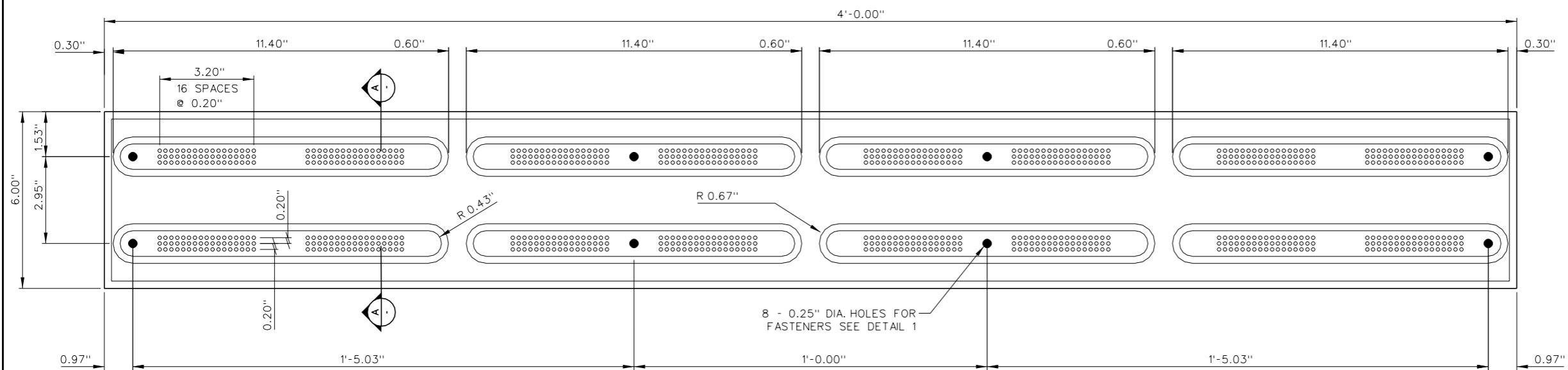


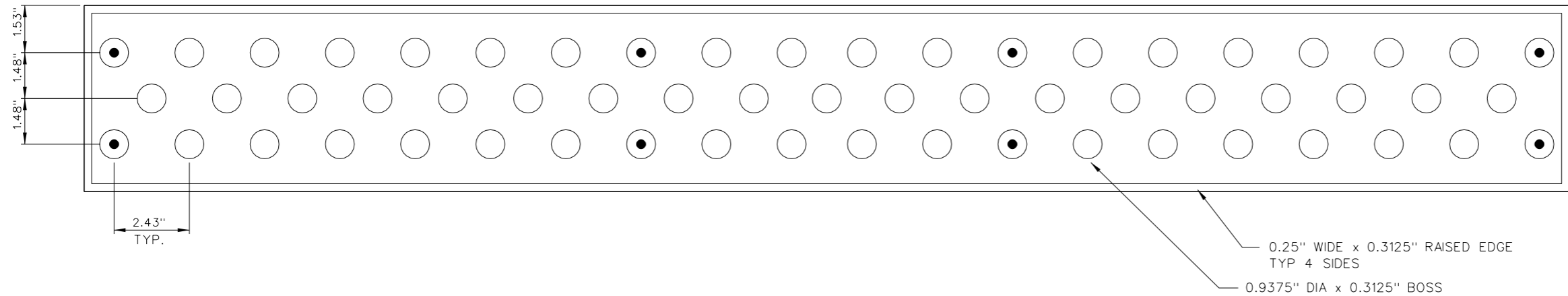
© 1999 ENGINEERED PLASTICS
 CONFIDENTIAL AND PROPRIETARY DOCUMENT
 U. S. PATENT NO. 5,303,669, U.S. PATENTS PENDING
 © KENNETH E. SZEKELY

MATERIAL LIST

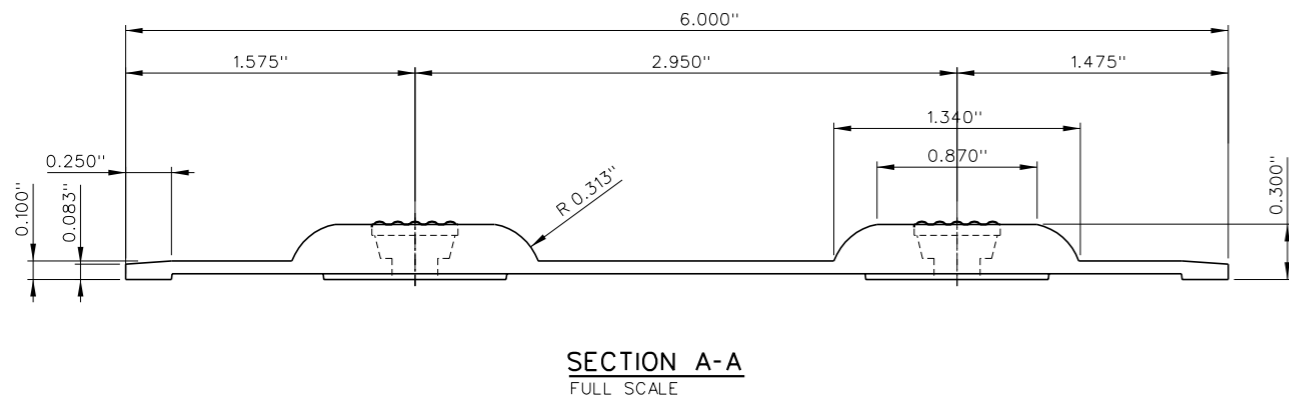
| ITEM | DESCRIPTION | PART NO. | QTY |
|------|-------------------|------------|-----|
| 1 | ARMOR TILE D.D.T. | AT-M001-48 | 1 |
| 2 | S.S. ANCHORS | AT-1100-CC | 8 |



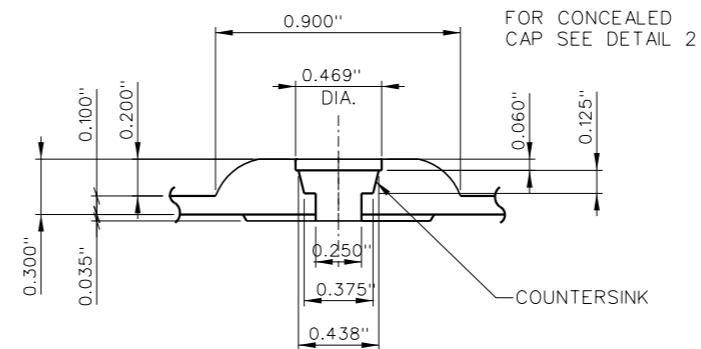
PLAN - TACTILE TILE
 3"=1'-0"



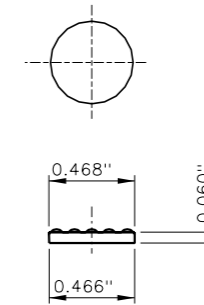
REFLECTED PLAN
 3"=1'-0"



SECTION A-A
 FULL SCALE



FASTENER DETAIL
 2:1 SCALE



DETAIL 2
 2:1 SCALE

| No. | DATE | REVISION | APPR. |
|-----|----------|----------|-------|
| 0 | 09/01/99 | ISSUED | K.S. |

SCALE 1/2"= 1'-0" TYP U.N.O.
 FULL SIZE

| | | |
|----------|-----------|------------|
| DESIGNED | BY K.E.S. | DATE 08/90 |
| DRAWN | M.D. | \$DATE\$ |
| CHECKED | | |

| | |
|----------------------------------|----------------------------|
| PROJECT MANAGER | |
| TRADE DETECTABLE WARNING SURFACE | PART NO. SEE MATERIAL LIST |

MATERIAL VITRIFIED POLYMER COMPOSITE

SUBJECT **Armor•Tile**
 TACTILE TILE
 DETECTABLE DIRECTIONAL WARNING
 SURFACE SYSTEM

PROJECT
 DETECTABLE DIRECTIONAL
 SURFACE TILE
 PLANS AND DETAILS
 MATERIAL DRAWING

| | |
|------------------------------------|---------------|
| DRAWING NO. ADT-S203-GEN2-06X48 | REV. NO. 0 |
|------------------------------------|---------------|