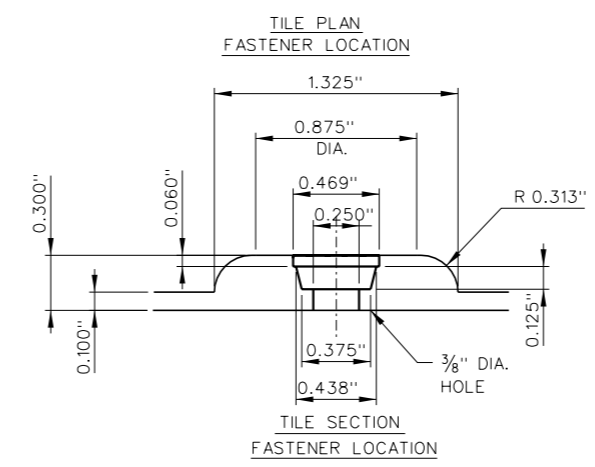
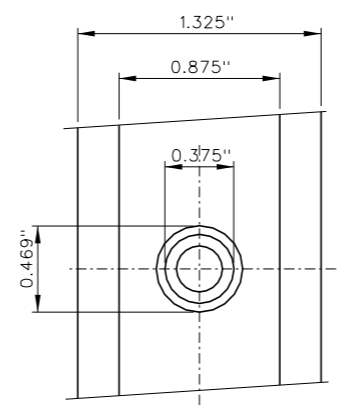
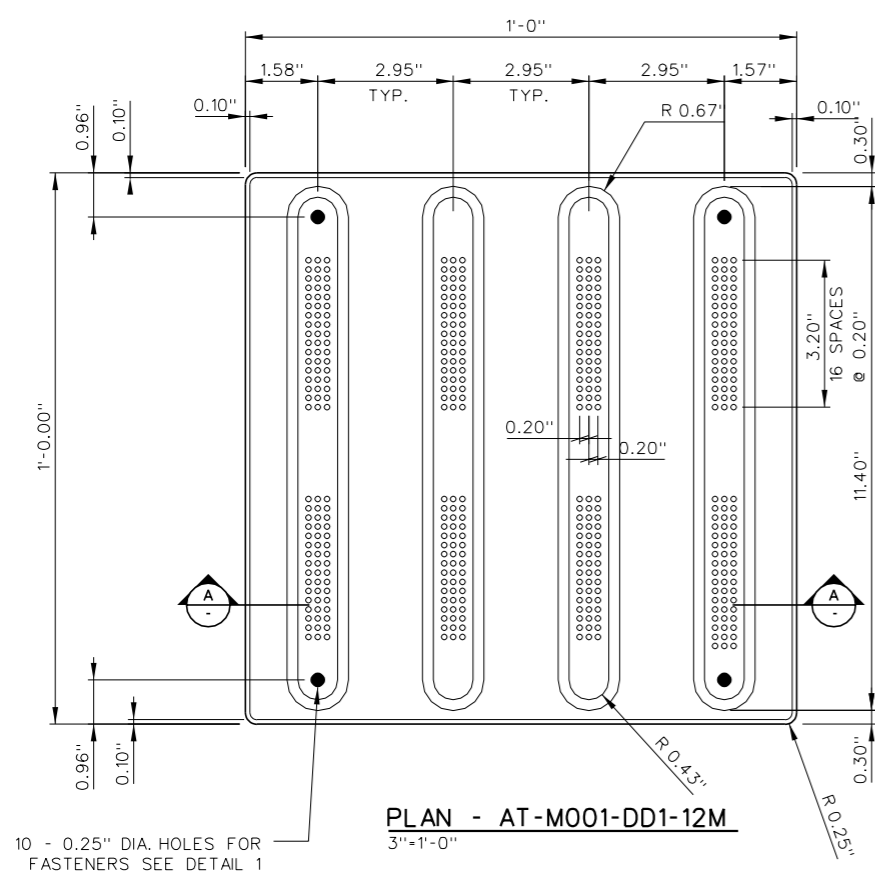


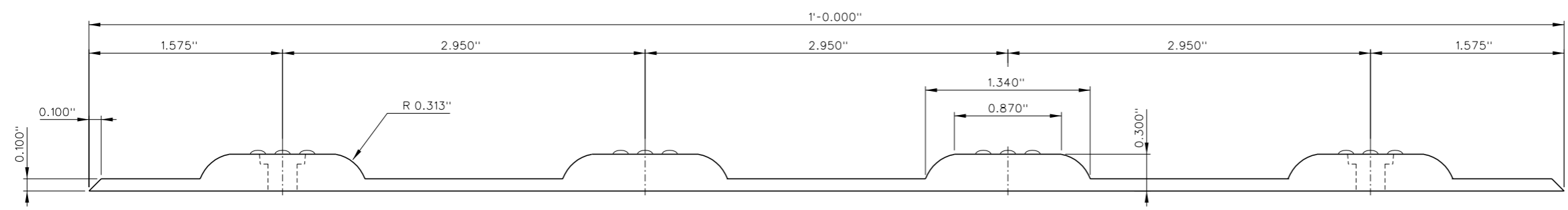
© 1999 ENGINEERED PLASTICS
 CONFIDENTIAL AND PROPRIETARY DOCUMENT
 U. S. PATENT NO. 5,303,669, U.S. PATENTS PENDING
 Ⓓ KENNETH E. SZEKELY

MATERIAL LIST

ITEM	DESCRIPTION	PART NO.	QTY
1	ARMOR TILE D.D.T.	AT-D023-12	1
2	S.S. ANCHORS	AT-1100-CC	4



DETAIL 2
 CONCEALED MECHANICAL FASTENING SYSTEM
 FULL SCALE



No.	DATE	REVISION	APPR.
0	09/01/99	ISSUED	K.S.

SCALE 1/2"= 1'-0" TYP U.N.O.
 FULL SIZE

DESIGNED	BY K.E.S.	DATE 08/90
DRAWN	M.D.	\$DATE\$
CHECKED		

PROJECT MANAGER	
TRADE DETECTABLE WARNING SURFACE	PART NO. SEE MATERIAL LIST

MATERIAL VITRIFIED POLYMER COMPOSITE

SUBJECT **Armor•Tile**
 TACTILE TILE
 DETECTABLE DIRECTIONAL WARNING SURFACE SYSTEM

PROJECT
 DETECTABLE DIRECTIONAL SURFACE TILE
 PLANS AND DETAILS
 MATERIAL DRAWING

DRAWING NO. ADT-S203-GEN2-12X12	REV. NO. 0
------------------------------------	---------------

\$FILES \$USERS \$DATES \$TIMES