

© 1999 ENGINEERED PLASTICS
 CONFIDENTIAL AND PROPRIETARY DOCUMENT
 U. S. PATENT NO. 5,303,669, U.S. PATENTS PENDING
 © KENNETH E. SZEKELY

MATERIAL LIST

ITEM	DESCRIPTION	PART NO.	QTY
1	ARMOR TILE D.D.T.	DT-D203-48	1
2	S.S. ANCHORS	AT-1100-CC	18

No.	DATE	REVISION	APPR.
0	09/01/99	ISSUED	K.S.

SCALE 1/2" = 1'-0" TYP U.N.O.
 FULL SIZE

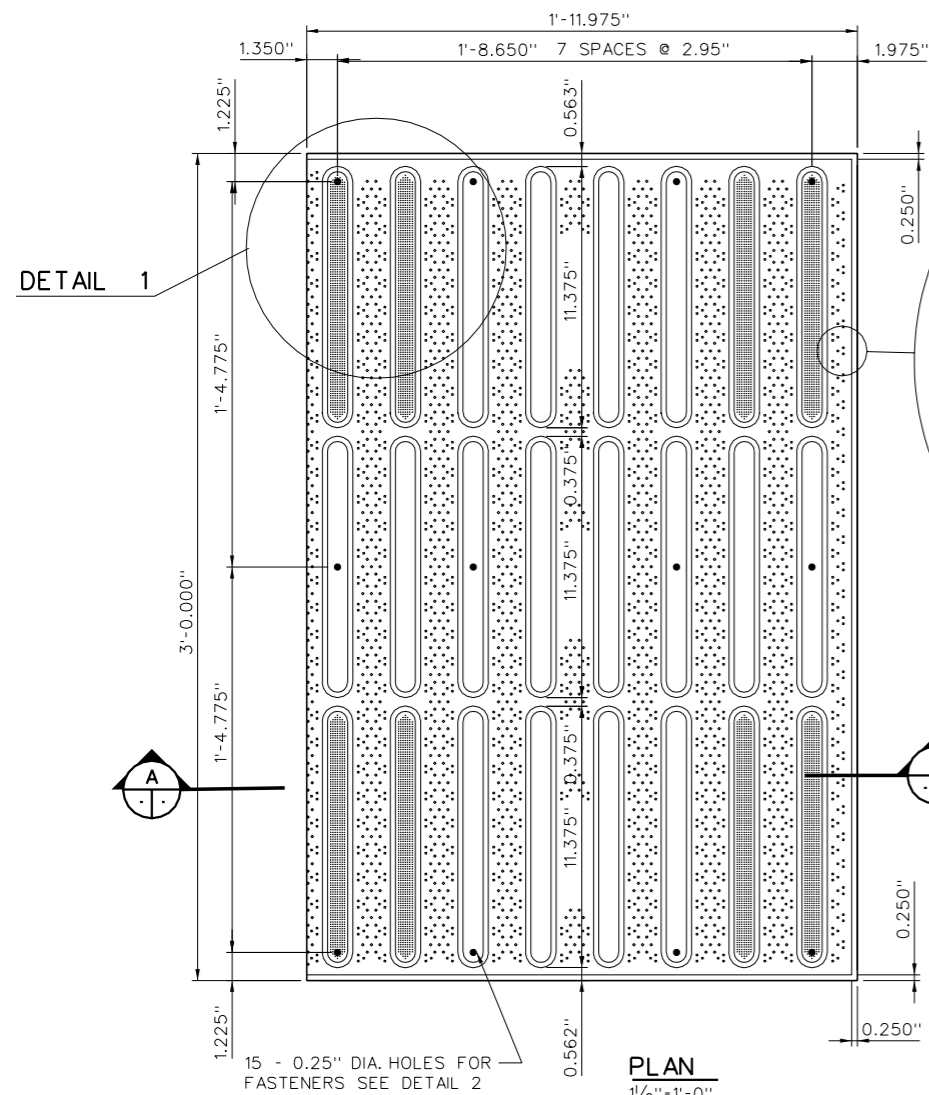
DESIGNED	BY K.E.S.	DATE 08/90
DRAWN	M.D.	\$DATE\$
CHECKED		

PROJECT MANAGER	
TRADE DETECTABLE WARNING SURFACE	PART NO. SEE MATERIAL LIST

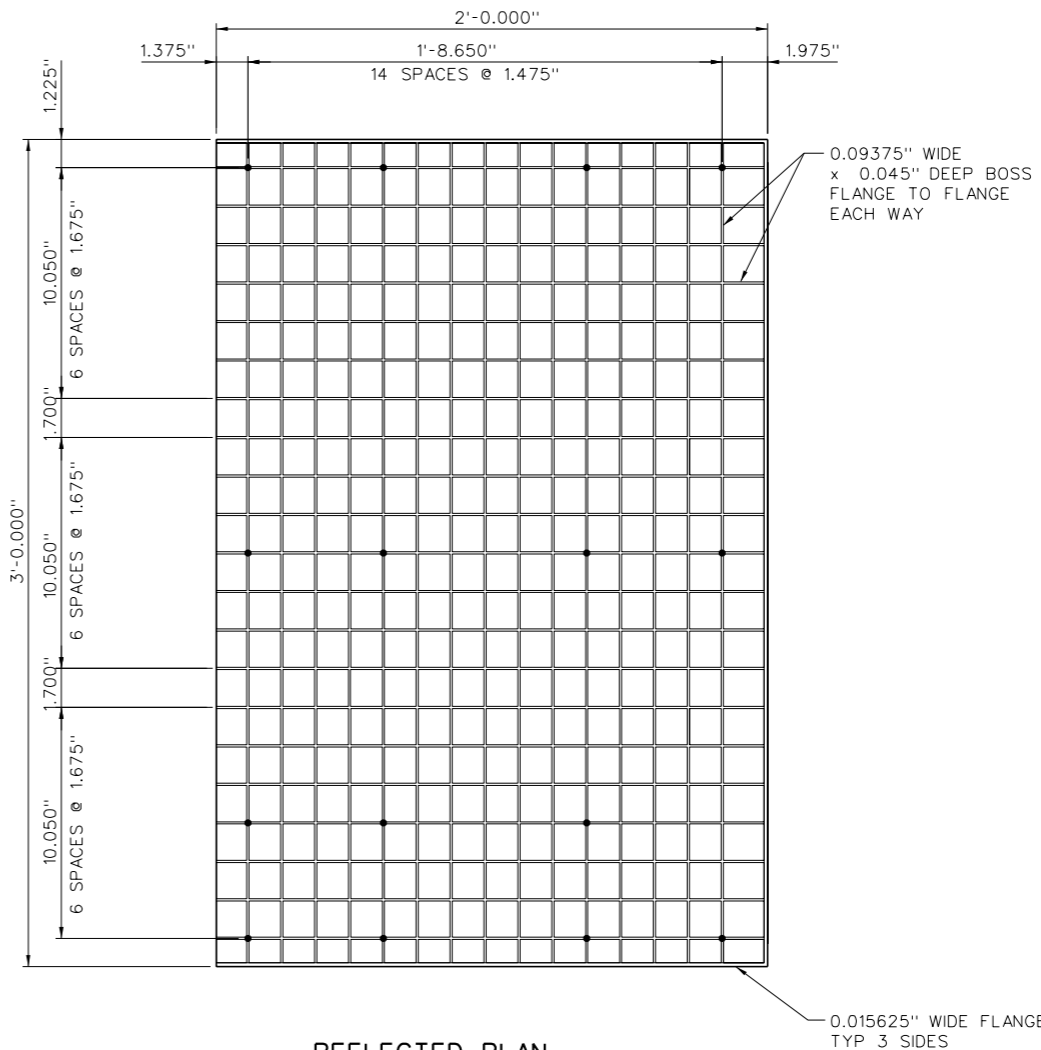
MATERIAL VITRIFIED POLYMER COMPOSITE
 SUBJECT **Armor•Tile**
 TACTILE TILE
 DETECTABLE DIRECTIONAL WARNING SURFACE SYSTEM

PROJECT
 DETECTABLE DIRECTIONAL SURFACE TILE
 2'-0" x 3'-0" TILE
 PLANS AND DETAILS

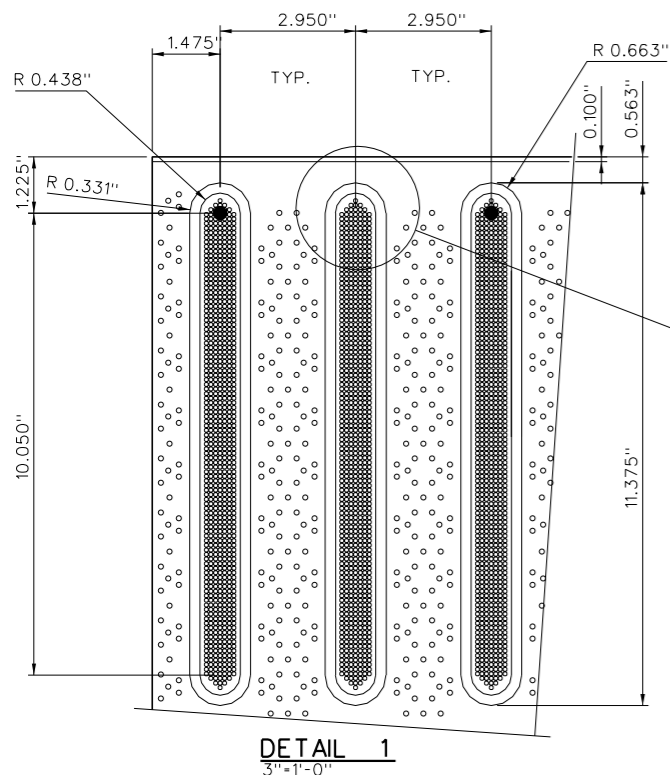
DRAWING NO. ADT-S023-GEN2-36X24	REV. NO. 0
---------------------------------	------------



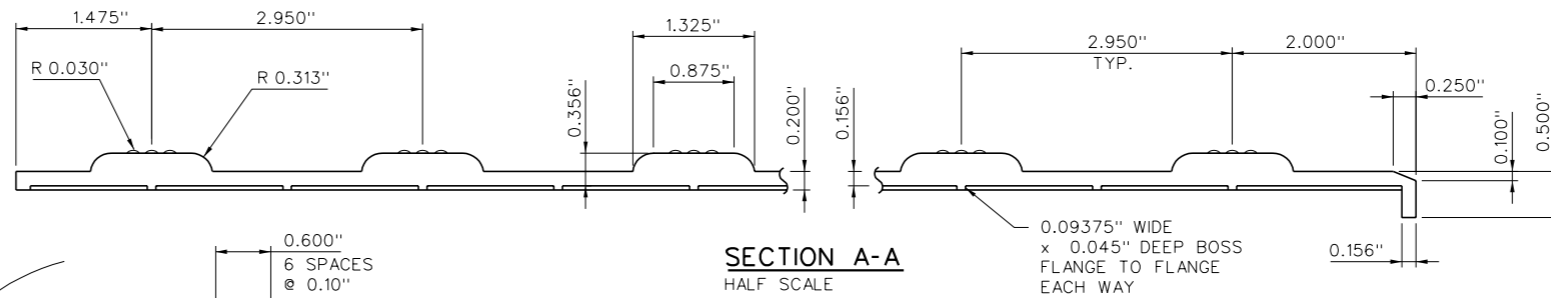
PLAN
 1/2" = 1'-0"



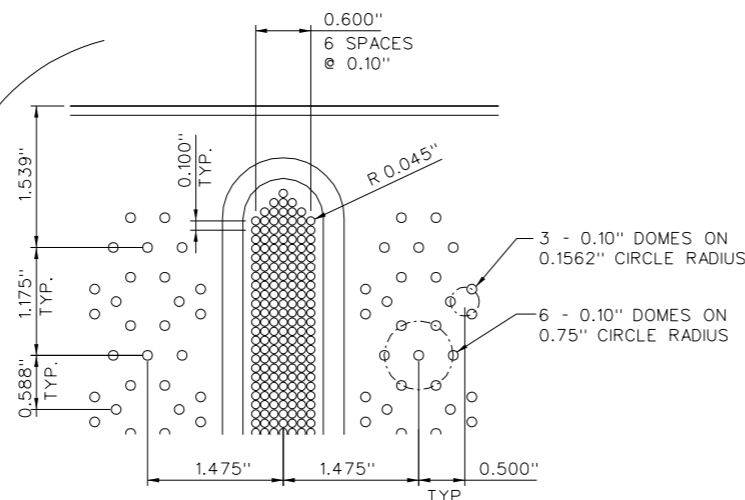
REFLECTED PLAN
 1/2" = 1'-0"



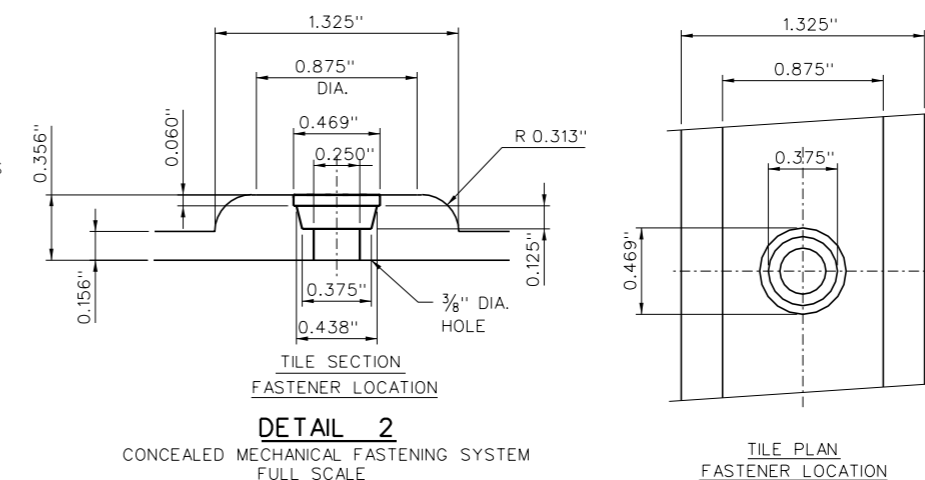
DETAIL 1
 3/4" = 1'-0"



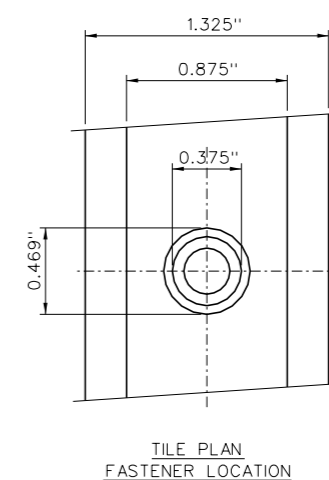
SECTION A-A
 HALF SCALE



PATTERN DETAIL
 6" = 1'-0"



DETAIL 2
 CONCEALED MECHANICAL FASTENING SYSTEM
 FULL SCALE



TILE PLAN FASTENER LOCATION