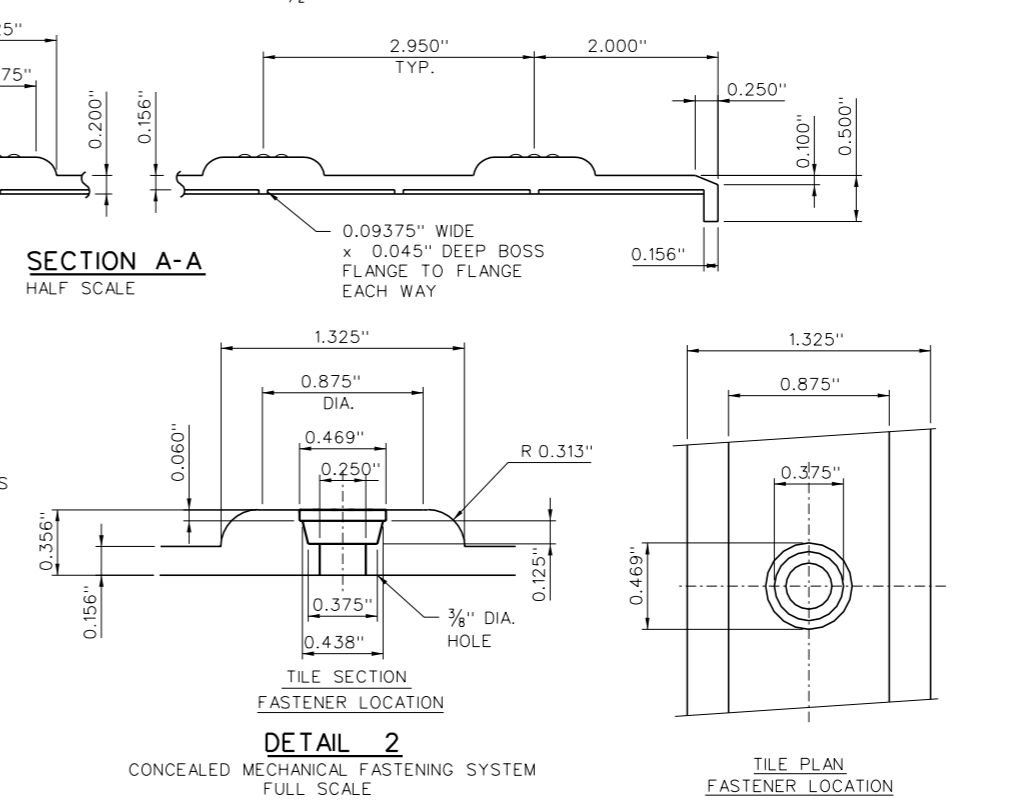
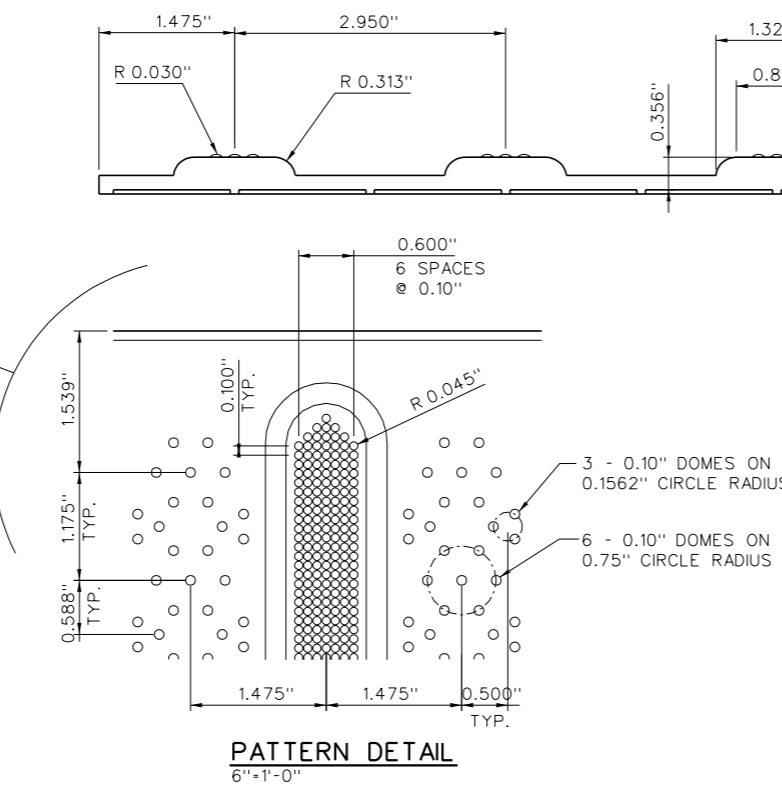
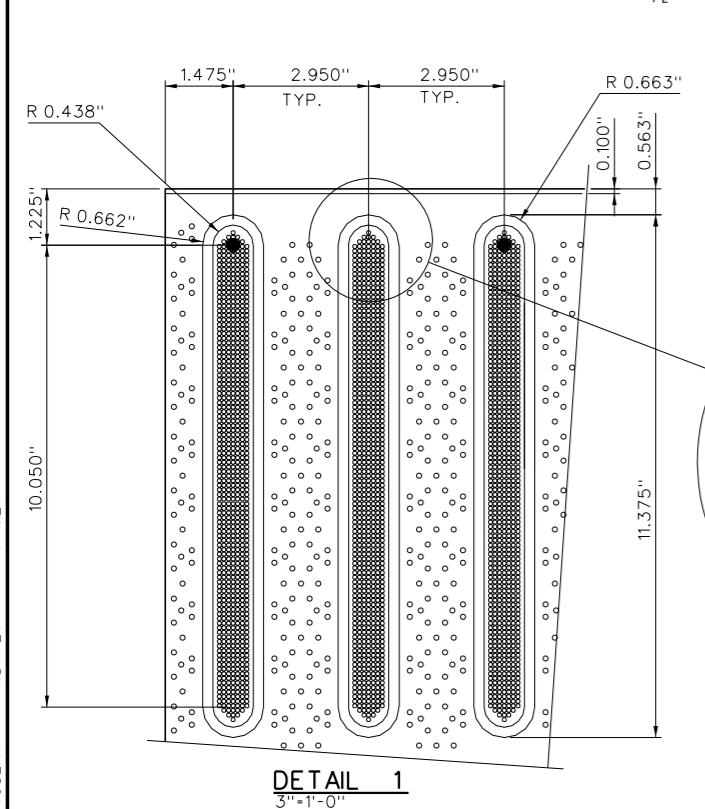
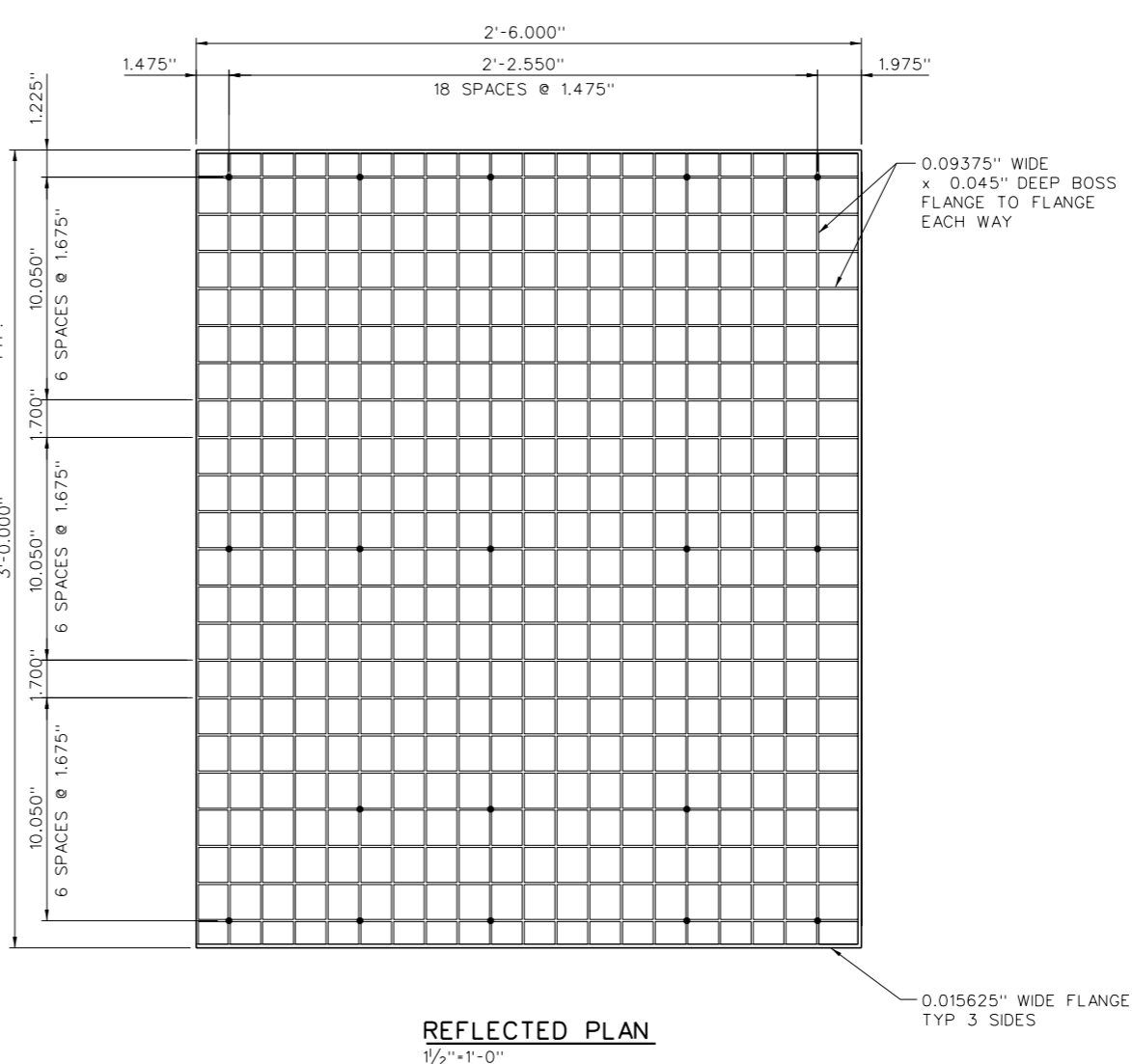
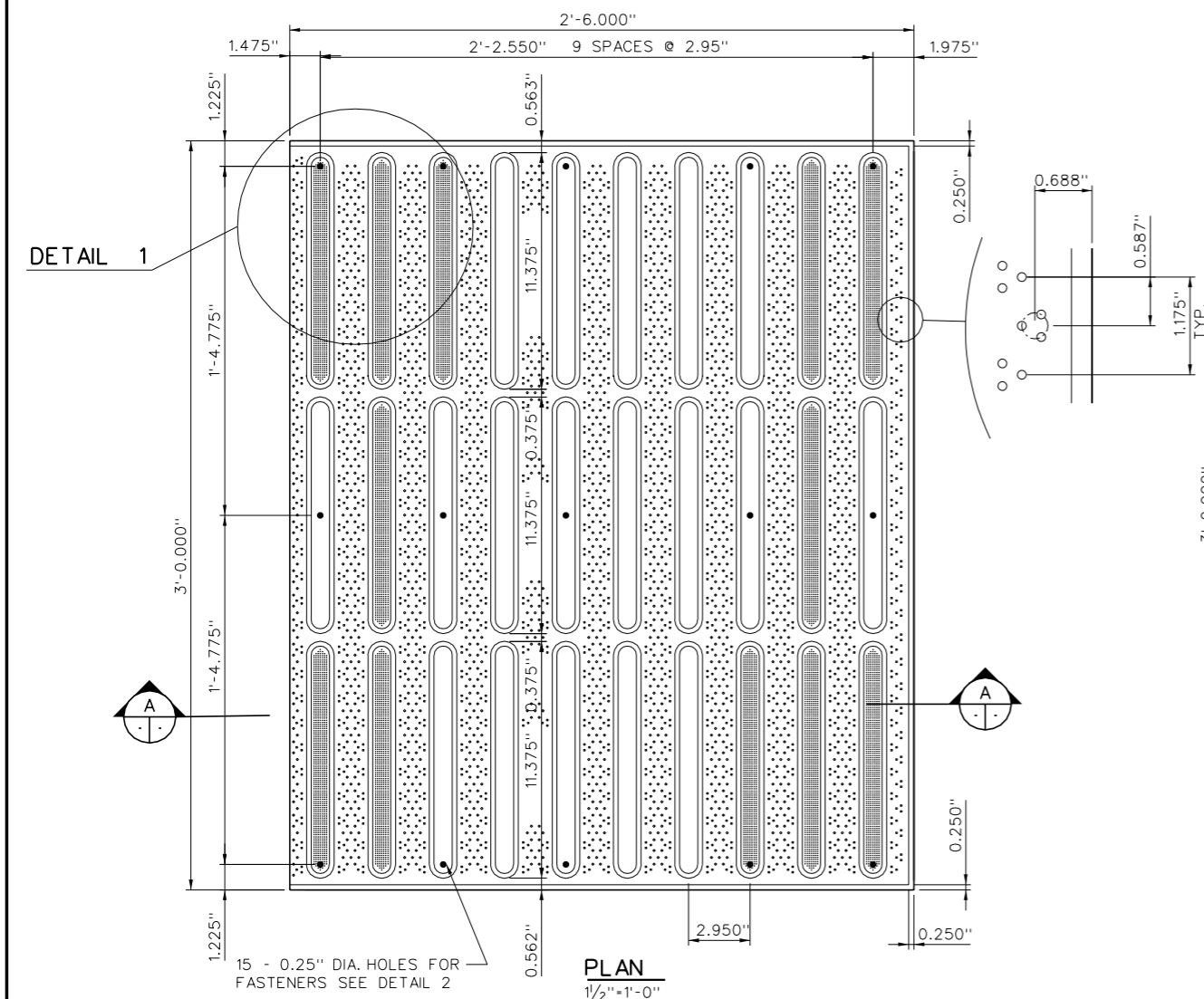


© 2000 ENGINEERED PLASTICS
 CONFIDENTIAL AND PROPRIETARY DOCUMENT
 U. S. PATENT NO. 5,303,669, U.S. PATENTS PENDING
 © KENNETH E. SZEKELY

MATERIAL LIST

ITEM	DESCRIPTION	PART NO.	QTY
1	ARMOR TILE D.D.T.	DT-D203-48	1
2	S.S. ANCHORS	AT-1100-CC	18



SCALE 1/2"= 1'-0" TYP U.N.O.
 FULL SIZE

DESIGNED	BY K.E.S.	DATE 08/90
DRAWN	M.D.	\$DATES
CHECKED		

PROJECT MANAGER	
TRADE DETECTABLE WARNING SURFACE	PART NO. SEE MATERIAL LIST

MATERIAL VITRIFIED POLYMER COMPOSITE

SUBJECT **Armor•Tile**
 TACTILE TILE
 DETECTABLE WARNING
 SURFACE SYSTEM

PROJECT

**DETECTABLE DIRECTIONAL
 SURFACE TILE**
 2'-6" x 3'-0" TILE
 PLANS AND DETAILS

DRAWING NO. ADT-S023-GEN2-36X30	REV. NO. 0
---------------------------------	------------

\$FILES \$USERS \$DATES \$TIMES