

© 1999 ENGINEERED PLASTICS
 CONFIDENTIAL AND PROPRIETARY DOCUMENT
 U. S. PATENT NO. 5,303,669, U.S. PATENTS PENDING
 © KENNETH E. SZEKELY

MATERIAL LIST

ITEM	DESCRIPTION	PART NO.	QTY
1	ARMOR TILE D.D.T.	AT-S203-48	1
2	S.S. ANCHORS	AT-1100-CC	21

COLOR YELLOW CONFORMING TO THE LATEST FEDERAL COLOR NUMBER STD.

No.	DATE	REVISION	APPR.
0	09/01/99	ISSUED	K.S.

SCALE 6" = 1'-0" TYP U.N.O.
 FULL SIZE

DESIGNED BY K.E.S. DATE 03/99

DRAWN M.D. \$DATE\$

CHECKED

PROJECT MANAGER

TRADE DETECTABLE WARNING SURFACE PART NO. SEE MATERIAL LIST

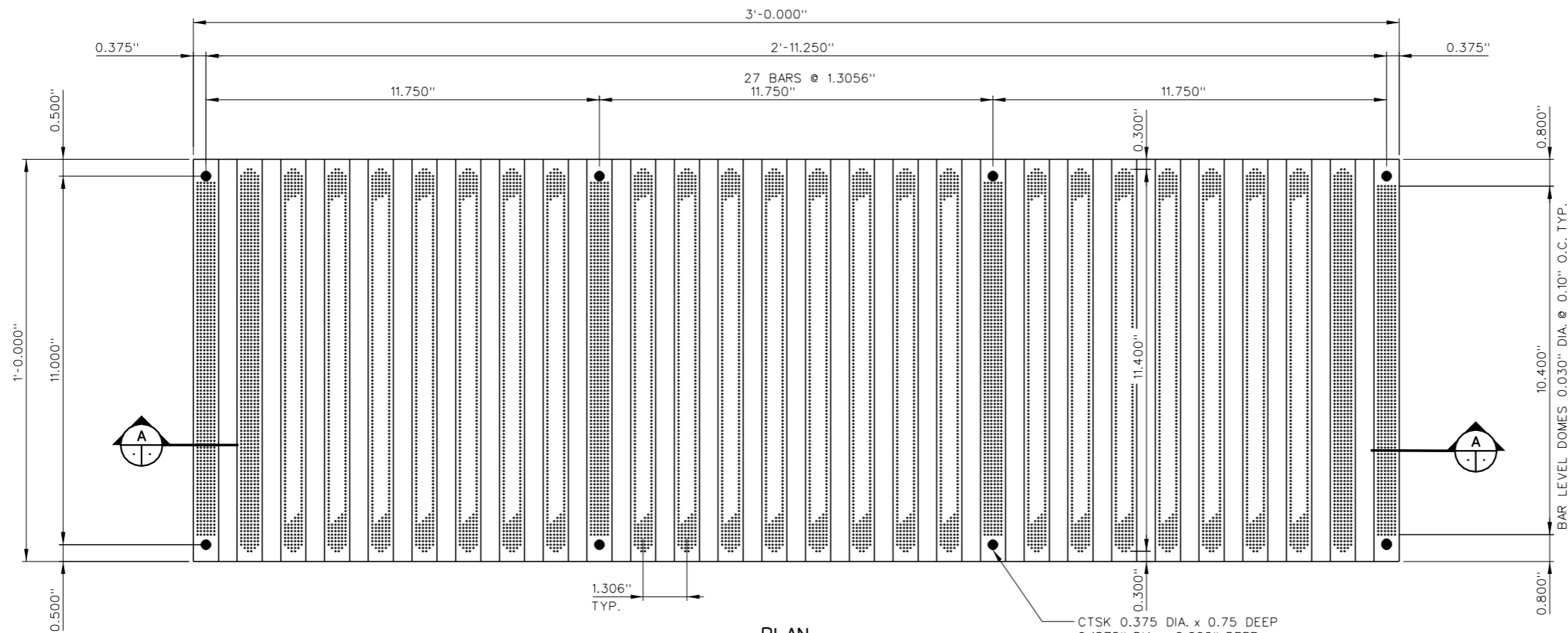
MATERIAL VITRIFIED POLYMER COMPOSITE

SUBJECT **Armor•Tile**
 TACTILE TILE
 DETECTABLE DIRECTIONAL WARNING SURFACE SYSTEM

PROJECT

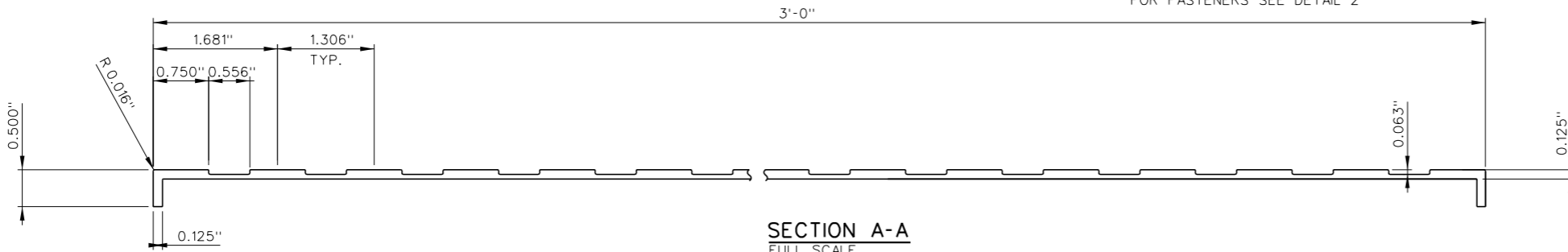
DETECTABLE DIRECTIONAL SURFACE TILE 12" x 36" PLANS AND DETAILS MATERIAL DRAWING

DRAWING NO. ADT-S223-GEN2-12X36 REV. NO. 0

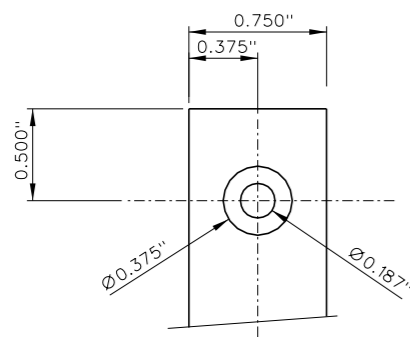


PLAN

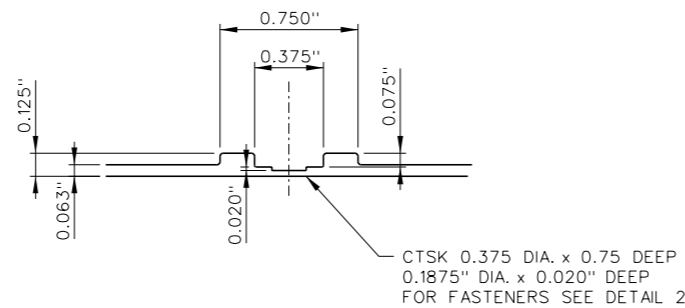
CTSK 0.375 DIA. x 0.75 DEEP
 0.1875" DIA. x 0.020" DEEP
 FOR FASTENERS SEE DETAIL 2



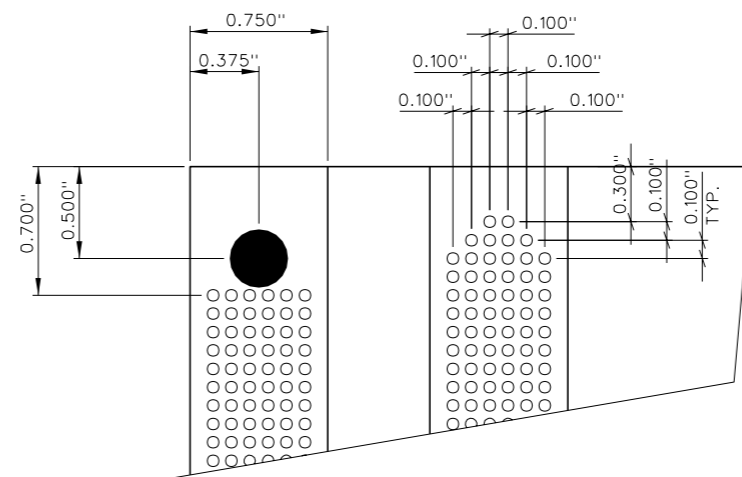
SECTION A-A
 FULL SCALE



DETAIL 2
 MECHANICAL FASTENING SYSTEM
 FULL SCALE



CTSK 0.375 DIA. x 0.75 DEEP
 0.1875" DIA. x 0.020" DEEP
 FOR FASTENERS SEE DETAIL 2



PATTERN DETAIL

FULL SCALE