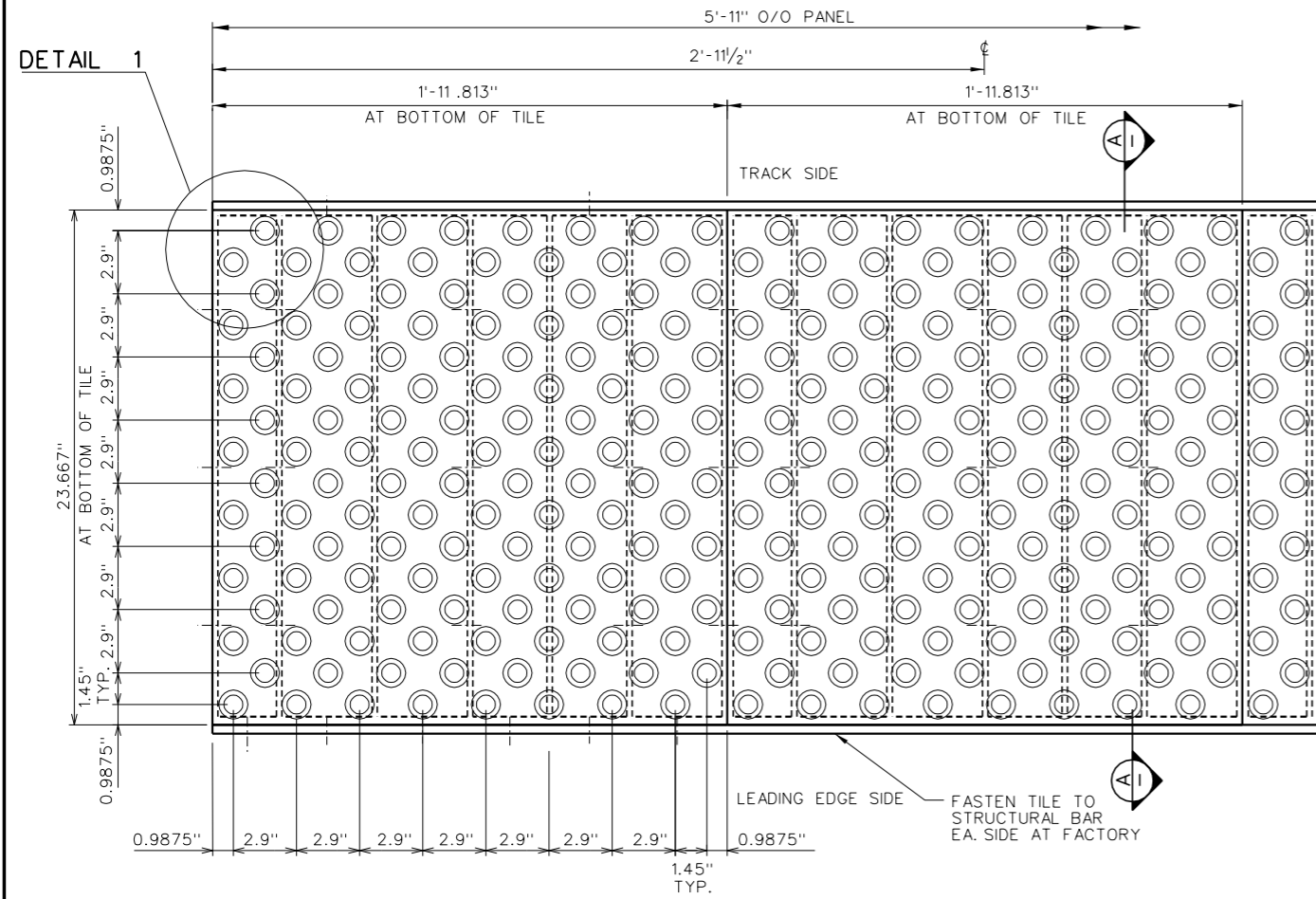


© 2000 ENGINEERED PLASTICS
 CONFIDENTIAL AND PROPRIETARY DOCUMENT
 U. S. PATENT NO. 5,303,669, U.S. PATENTS PENDING
 © KENNETH E. SZEKELY

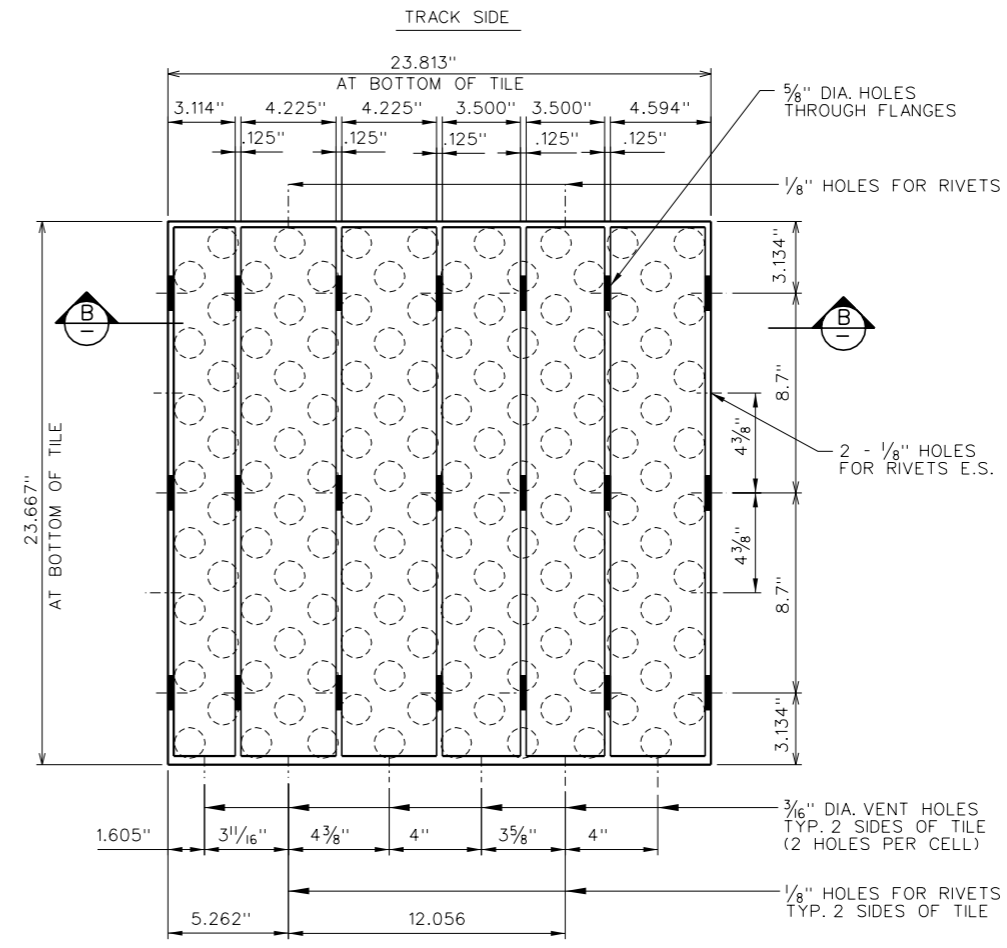
MATERIAL LIST

ITEM	DESCRIPTION	PART NO.	QTY
1	ARMOR TILE (24"x24")	AT-C040-24	3
2	1/8" DIA. STRUCT. RIVETS	AT-SR125	
3	BAR PL. 1" x 1/8" x 5'-11"	AT-PL81	
4	POLYETHYLENE COVER 2MIL AT-CR2 6'-3" x 2'-3"		

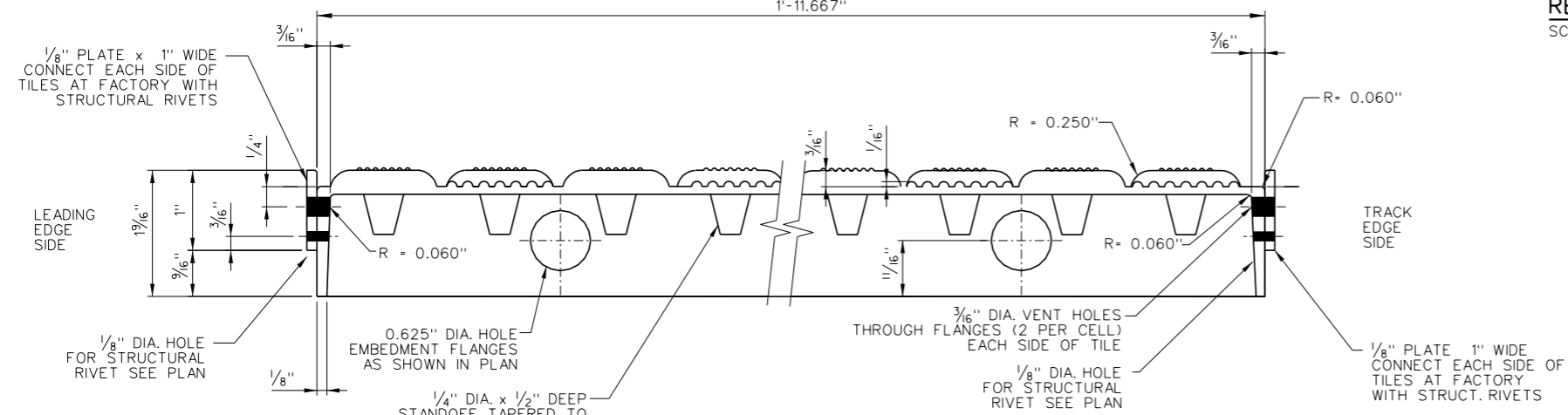
DRAWING	DESCRIPTION
AT-C040-MR11-24E	INSTALLATION DRAWING



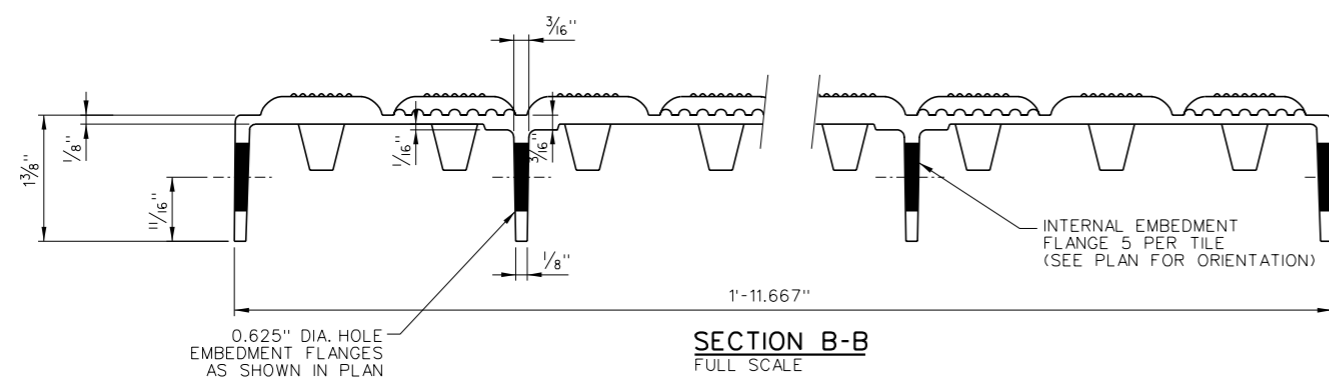
PLAN - TILE
 SCALE 3" = 1'-0"
 NOTE: 3 TILES ASSEMBLED PER PANEL
 1'-11.667"



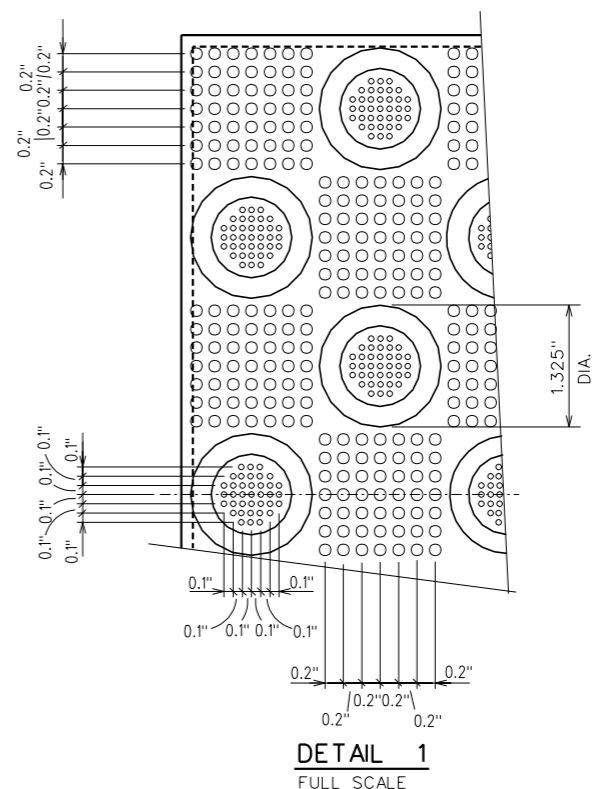
REFLECTED PLAN
 SCALE 3" = 1'-0"



SECTION A-A
 FULL SCALE



SECTION B-B
 FULL SCALE



DETAIL 1
 FULL SCALE

SCALE AS NOTED
 FULL SIZE ONLY

DESIGNED	BY K.E.S.	DATE 08/92
DRAWN	M.D.	08/27/96
CHECKED		

PROJECT MANAGER	
TRADE DETECTABLE WARNING SURFACE	PART NO. SEE MATERIAL LIST
MATERIAL	VITRIFIED POLYMER COMPOSITE

Subject
Armor-Tile
 TACTILE TILE
 DETECTABLE WARNING
 SURFACE SYSTEM
 MATERIAL DRAWING

Project
 PLATFORM EDGE TACTILE TILE
 24" x 24" CAST IN PLACE TILE
 PLAN AND DETAILS

DRAWING NO.	REV. NO.
AT-C044-GEN3-24x24	0

d:\eng-plastics\armor-tile\cast in place\atc044gen3-24x24m.dgn
 DOBMM 06 SEP 2000 21:10:50