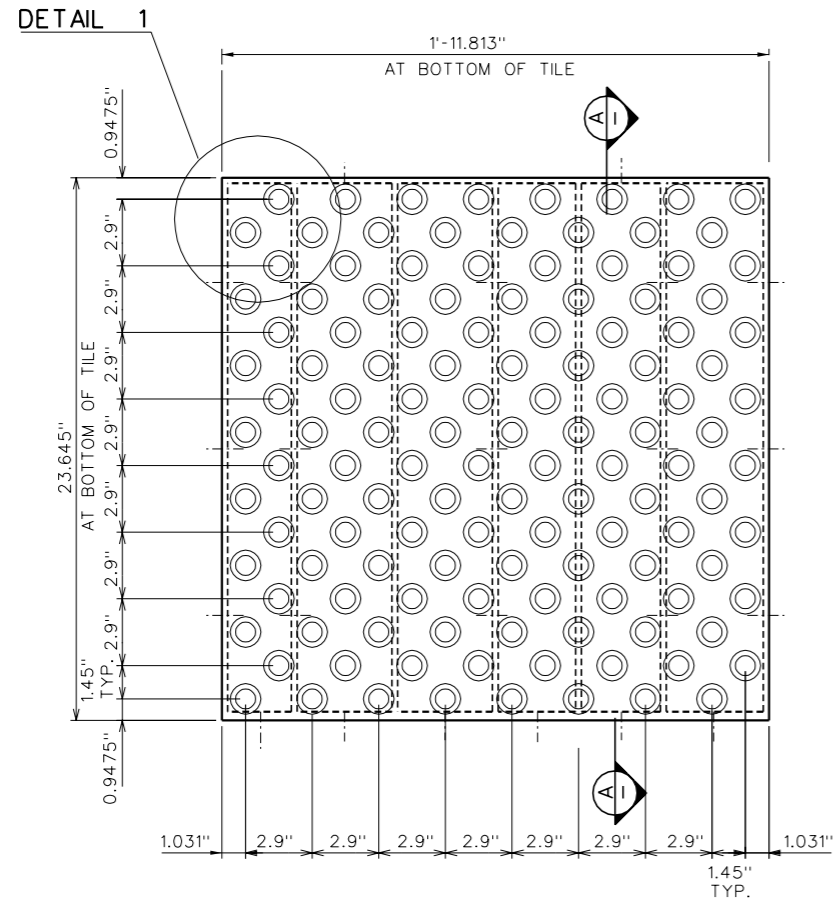


© 2000 ENGINEERED PLASTICS
 CONFIDENTIAL AND PROPRIETARY DOCUMENT
 U. S. PATENT NO. 5,303,669, U.S. PATENTS PENDING
 © KENNETH E. SZEKELY

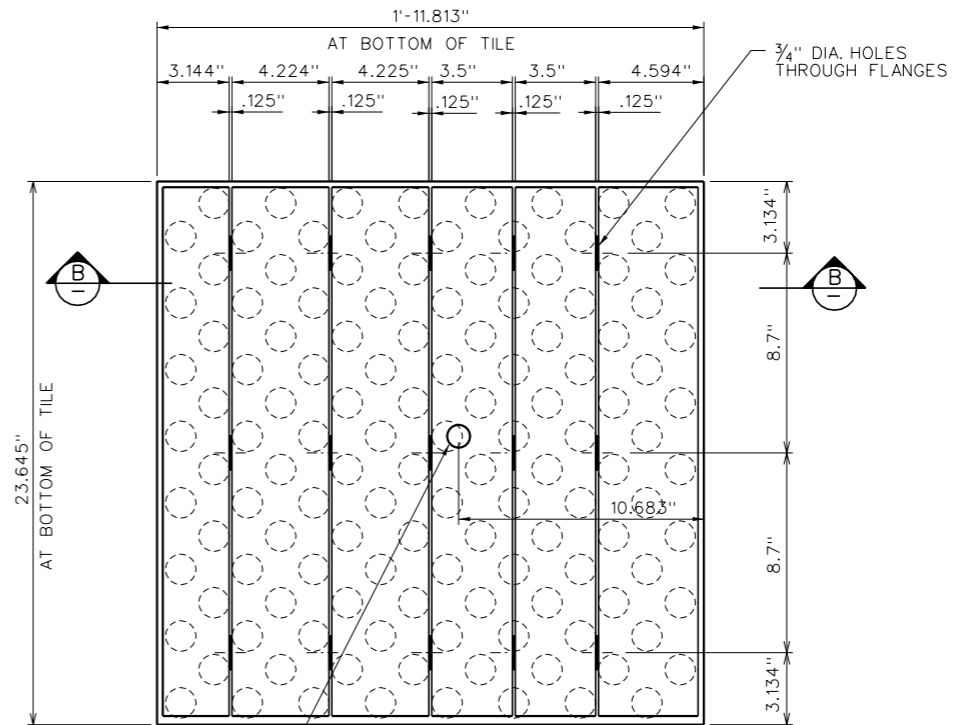
MATERIAL LIST

ITEM	DESCRIPTION	PART NO.	QTY
1	ARMOR TILE (24"x24")	AT-P144-24	1

DRAWING	DESCRIPTION
AT-P144-GEN1-24E	INSTALLATION DRAWING

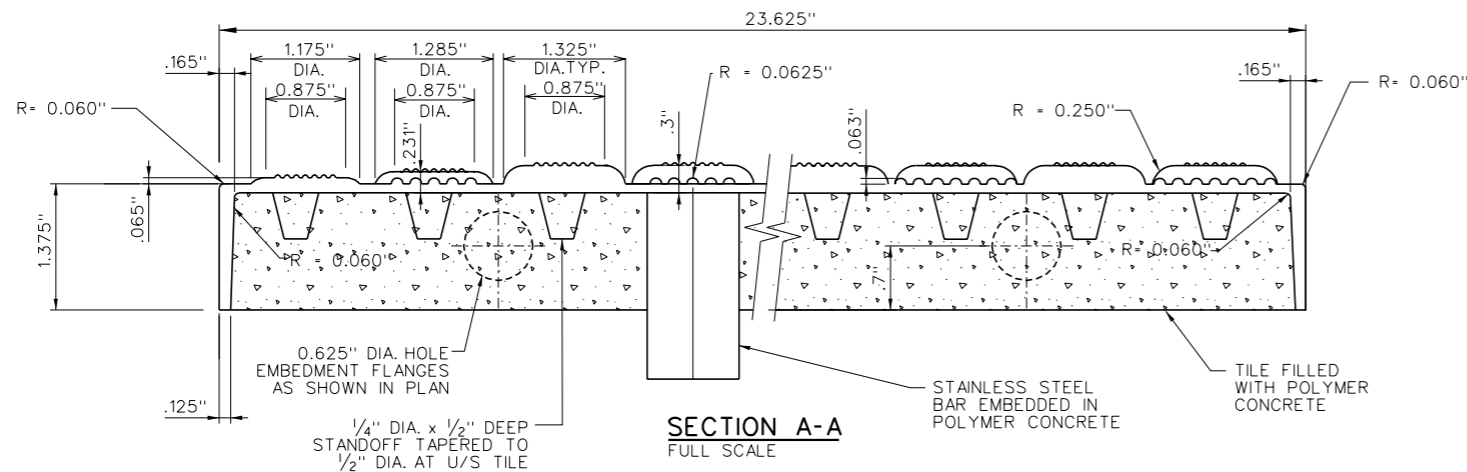


PLAN - TILE
 SCALE 3" = 1'-0"

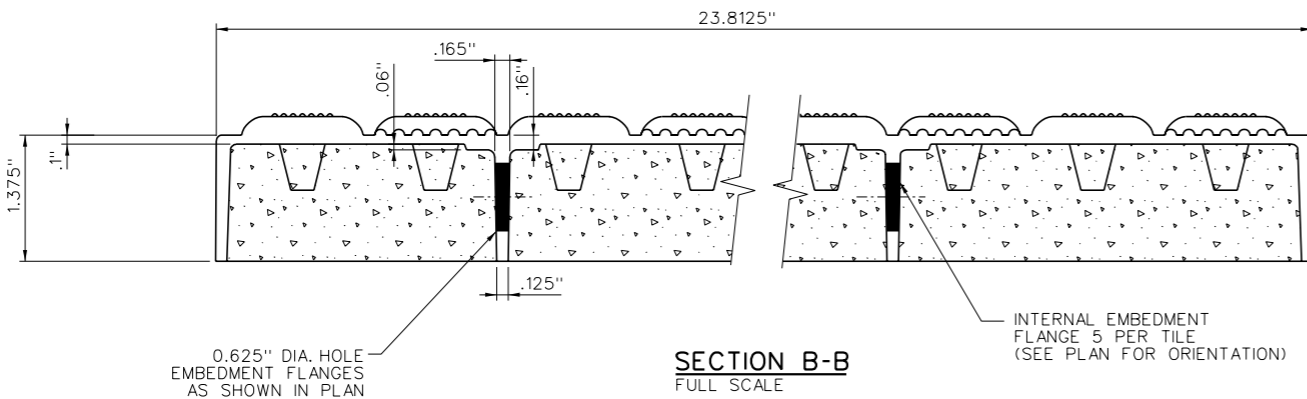


1 - 1" DIA. x 1.75" LG.
 STAINLESS STEEL
 BAR EMBEDDED IN
 POLYMER CONCRETE

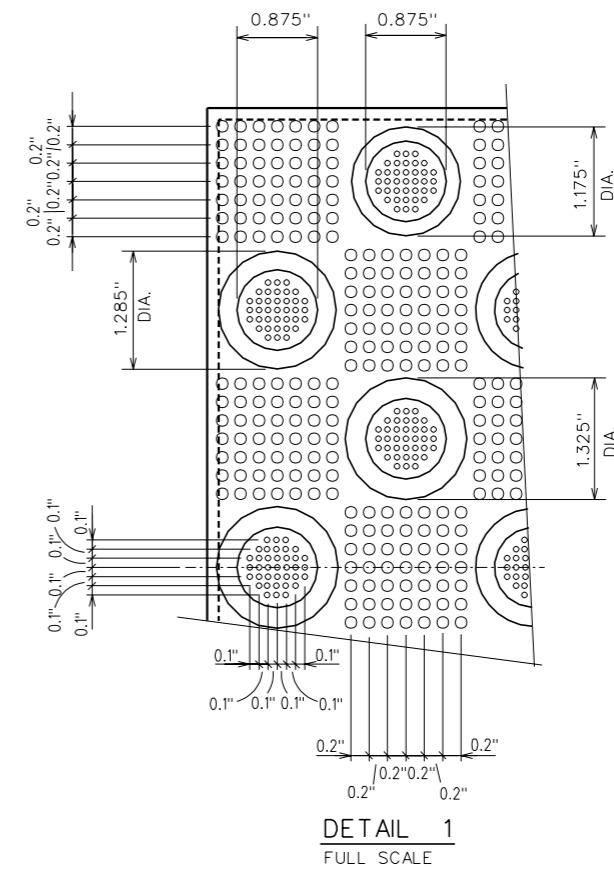
REFLECTED PLAN
 SCALE 3" = 1'-0"



SECTION A-A
 FULL SCALE



SECTION B-B
 FULL SCALE



DETAIL 1
 FULL SCALE

SCALE AS NOTED
 FULL SIZE ONLY

DESIGNED BY K.E.S. DATE 08/92

DRAWN M.D. 06 SEP 2000

CHECKED

PROJECT MANAGER

TRADE DETECTABLE WARNING SURFACE PART NO. SEE MATERIAL LIST

MATERIAL VITRIFIED POLYMER COMPOSITE

SUBJECT **Armor Tile**
 TACTILE TILE
 DETECTABLE WARNING
 SURFACE SYSTEM
 MATERIAL DRAWING

PROJECT

PLATFORM EDGE TACTILE TILE
 24" x 24" PAVER TILE
 PLAN AND DETAILS

DRAWING NO. AT-P144-GEN2-24X24 REV. NO. 0