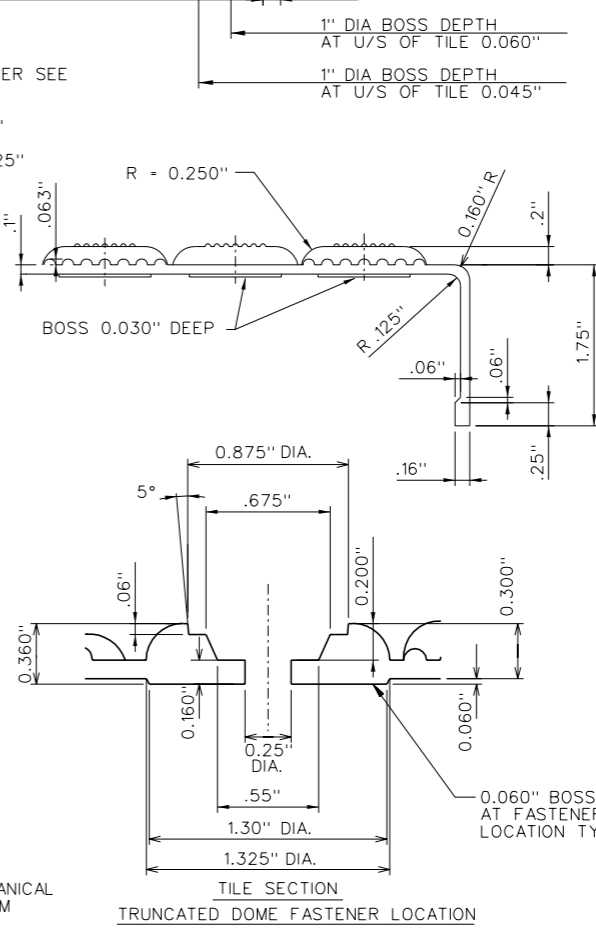
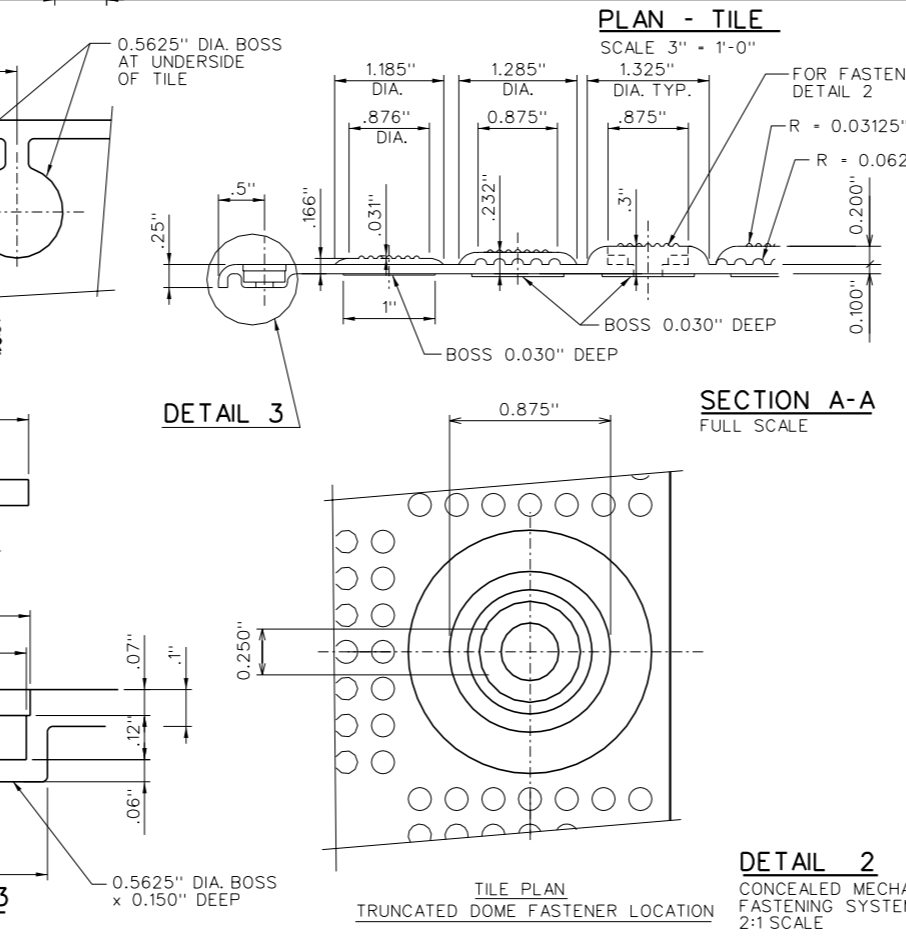
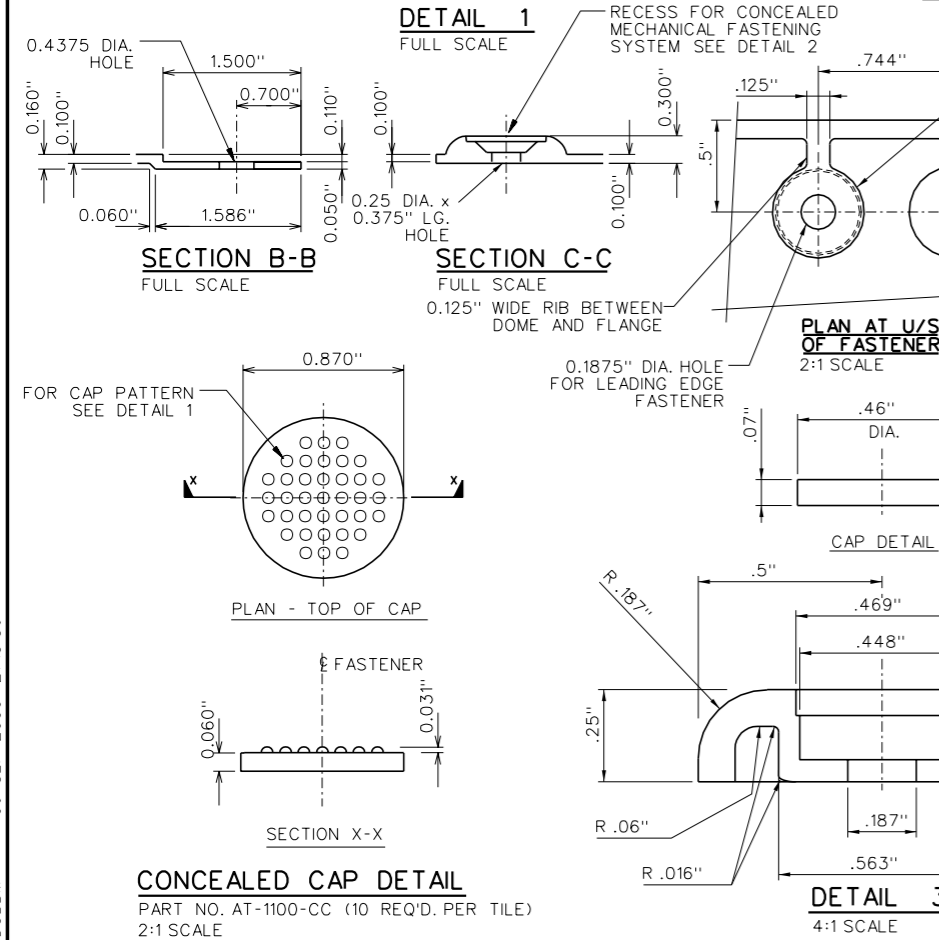
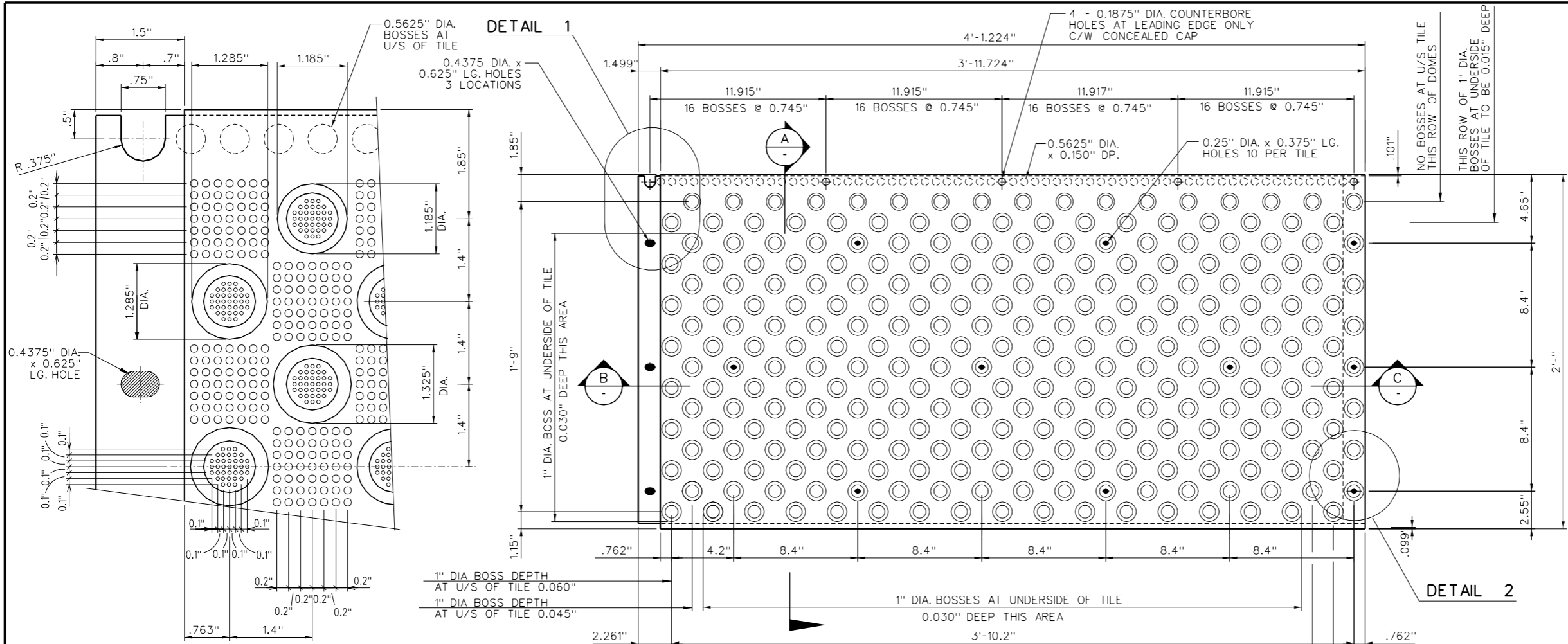


© 2000 ENGINEERED PLASTICS
 CONFIDENTIAL AND PROPRIETARY DOCUMENT
 U. S. PATENT NO. 5,303,669, U.S. PATENTS PENDING
 © KENNETH E. SZEKELY

MATERIAL LIST

ITEM	DESCRIPTION	PART NO.	QTY
1	ARMOR TILE	AT-S153-48	1
2	CONCEALED CAP	AT-1100-CC	10



SCALE AS NOTED FULL SIZE

DESIGNED	BY K.E.S.	DATE 08/90
DRAWN	M.D.	06 SEP 2000
CHECKED		

PROJECT MANAGER	PRODUCTION MANAGER
TRADE DETECTABLE WARNING SURFACE	PART NO. SEE MATERIAL LIST

MATERIAL VITRIFIED POLYMER COMPOSITE

SUBJECT **Armor-Tile**
 TACTILE TILE
 DETECTABLE WARNING SURFACE SYSTEM

PROJECT **PLATFORM EDGE TACTILE TILE 48" x 24" SURFACE APPLIED PLANS AND DETAILS**

DRAWING NO. AT-S113-GEN2-24X48	REV. NO. 0
--------------------------------	------------

c:\eng_plastics\armor-tile\surface_applied\at-s113-24x48m-gen2.dgn
 DOBMM 06 SEP 2000 21:13:56